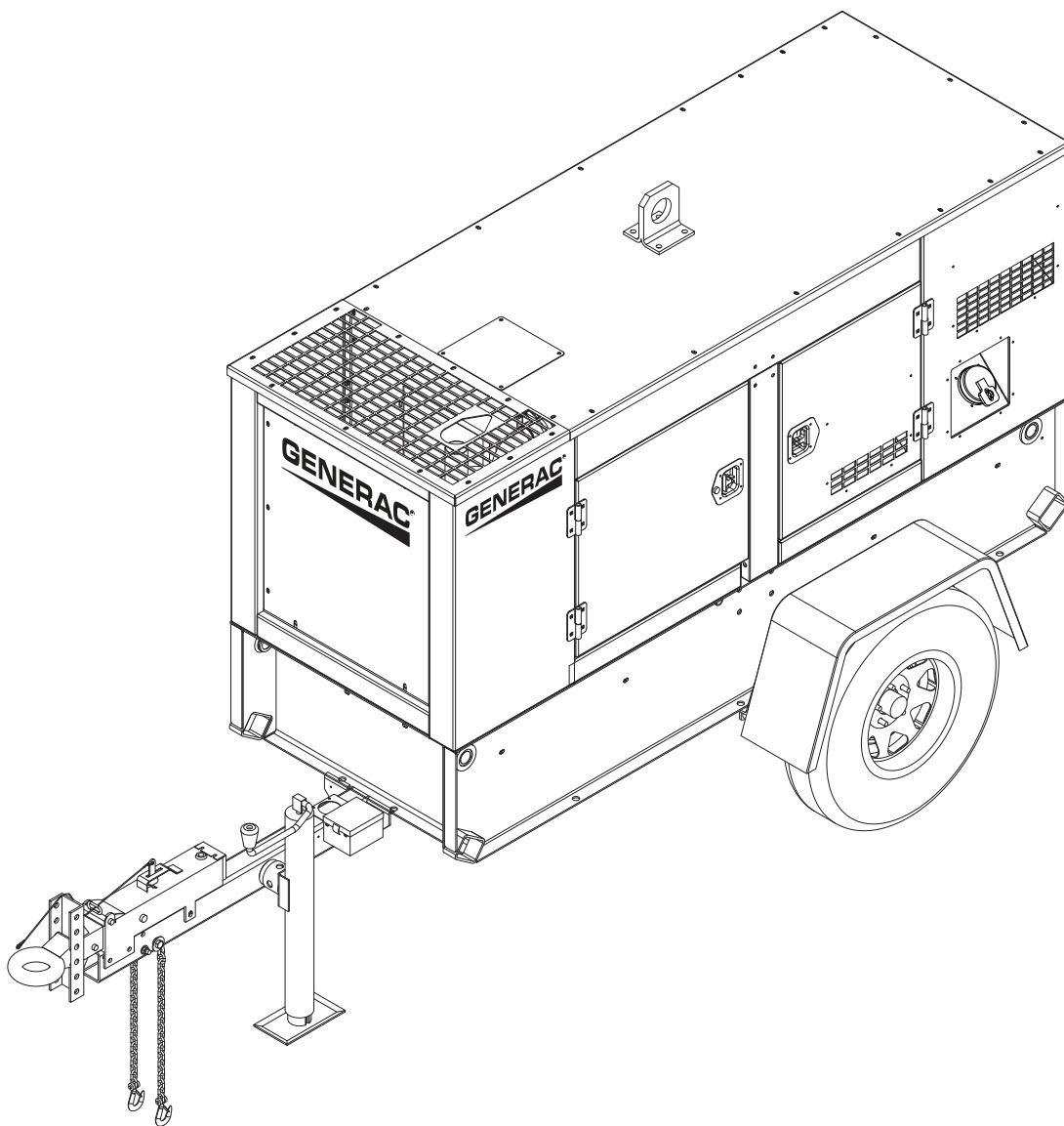


# GENERAC®

## DIESEL GENERATOR MMG55D



## PARTS MANUAL

## INTRODUCTION

Before servicing this machine, make sure the engine start switch is turned to off "O", the circuit breakers are open (off, "O"), the emergency stop switch is closed (pushed in), and the negative (-) terminal on battery is disconnected. Attach a "DO NOT START" sign to the control panel. This will notify everyone that the unit is being serviced and will reduce the chance of someone inadvertently trying to start the unit. If the unit is connected to a remote start or transfer switch, make sure the remote switch is also off and tagged.

### **▲ WARNING**

**Before operating or servicing this equipment, read and understand the Generac Operating Manual which was included with the unit when shipped from the factory. Failure to do so increases the risk of injury to yourself or others.**

**GENERAC POWER SYSTEMS, INC.  
S45 W29290 Hwy. 59, Waukesha, WI 53189  
U.S.A.  
Phone: 1-888-GENERAC  
www.generac.com**

**For technical or parts QUESTIONS, please contact Generac Customer Support or Technical Support at 1-888-GENERAC. Please have your serial number available.**

**To ORDER SERVICE PARTS, please contact the dealer from which you purchased the unit, or call Generac to locate a dealer in your area.**

Engine Make: \_\_\_\_\_  
Engine Serial Number: \_\_\_\_\_  
Engine Model Number: \_\_\_\_\_  
Generator Make: \_\_\_\_\_  
Generator Model Number: \_\_\_\_\_  
Generator Serial Number: \_\_\_\_\_  
Unit Model Number: \_\_\_\_\_  
Unit Serial Number: \_\_\_\_\_

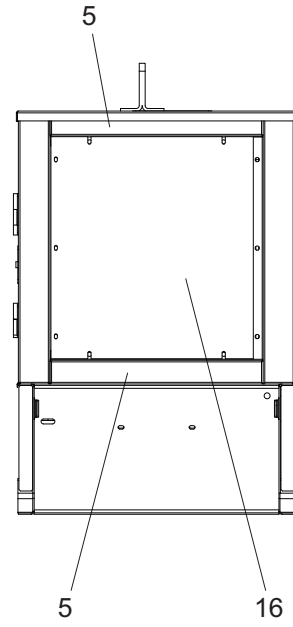
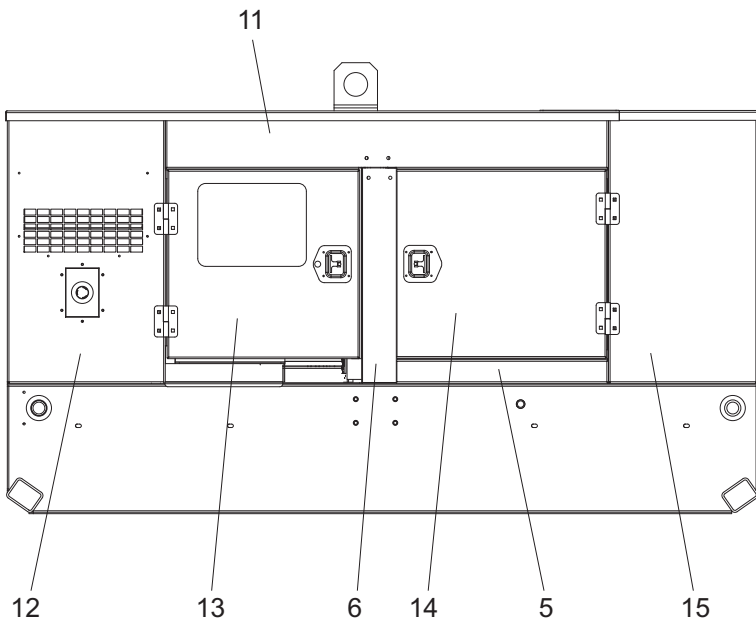
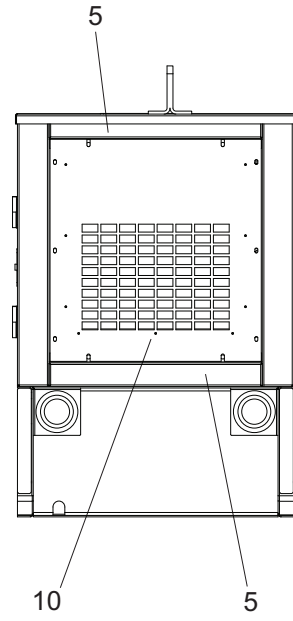
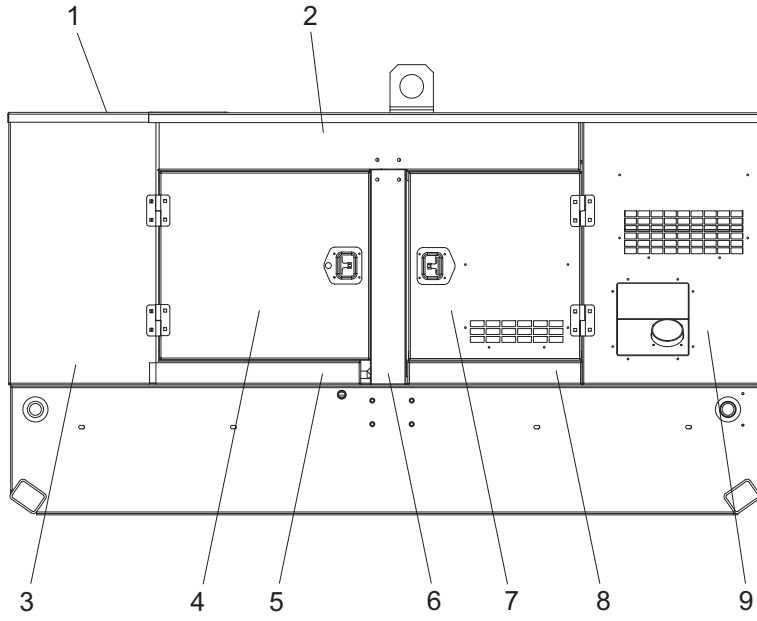
### **▲ WARNING**

**CALIFORNIA PROPOSITION 65 WARNING:  
Diesel engine exhaust and some of its constituents are known to the state of California to cause cancer, birth defects and other reproductive harm.**

# TABLE OF CONTENTS

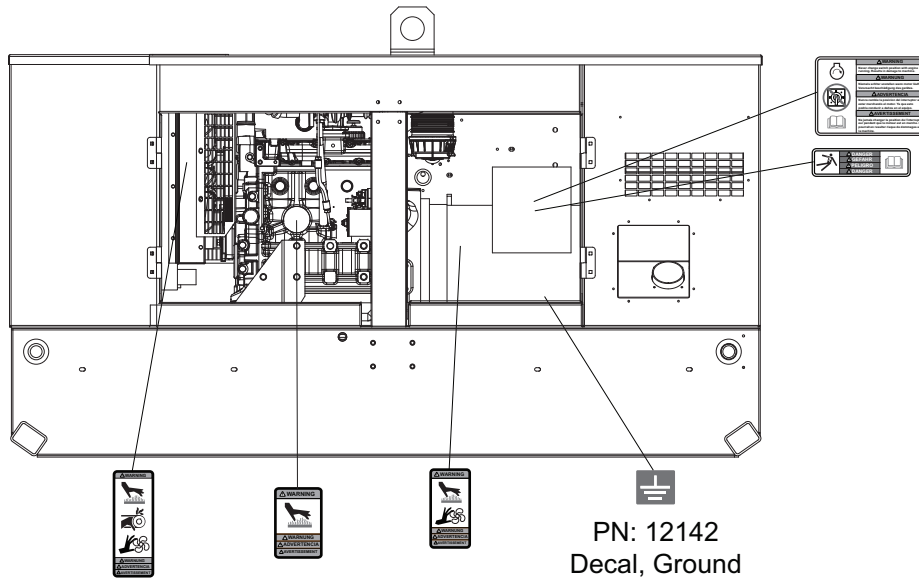
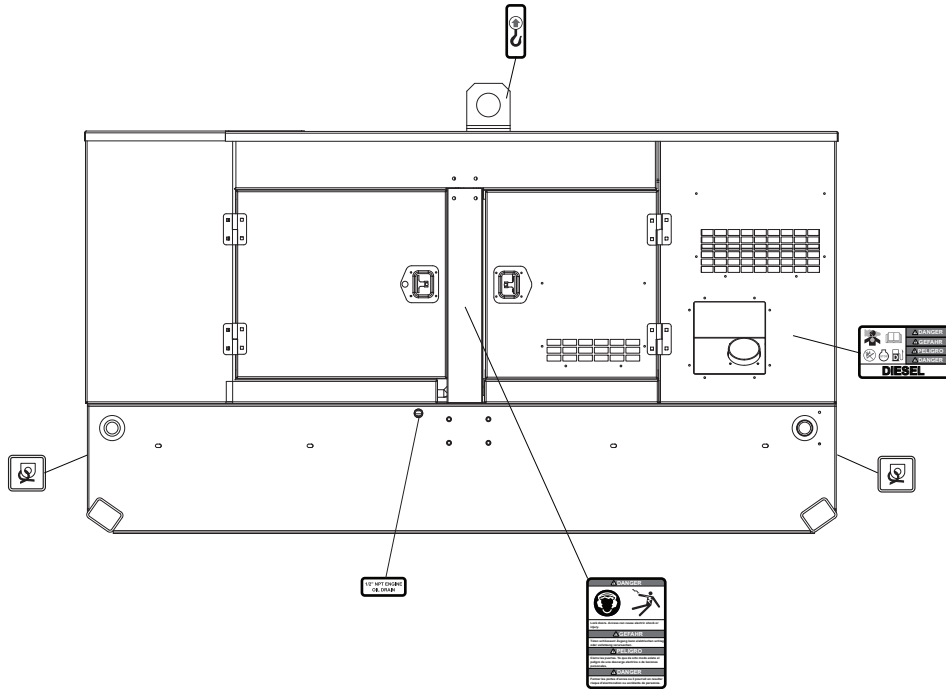
|   | Page |
|---|------|
| INTRODUCTION .....                      | 2    |
| ENCLOSURE PANELS .....                  | 4    |
| UNIT DECALS .....                       | 6    |
| UNIT DECALS (CONTINUED) .....           | 7    |
| UNIT DECALS (CONTINUED) .....           | 8    |
| LUG BOX DOOR .....                      | 9    |
| LUG PLATE ASSEMBLY .....                | 10   |
| CAM LOCK PANEL ASSEMBLY .....           | 11   |
| OUTLET PANEL ASSEMBLY .....             | 12   |
| CONTROL PANEL ASSEMBLY .....            | 13   |
| CONTROL BOX ASSEMBLY .....              | 14   |
| CONTROL BOX ASSEMBLY CONTINUED .....    | 16   |
| AIR FILTER ASSEMBLY .....               | 17   |
| EXHAUST SYSTEM ASSEMBLY .....           | 18   |
| FUEL TANK ASSEMBLY .....                | 19   |
| ENGINE ASSEMBLY .....                   | 20   |
| GENERATOR ASSEMBLY .....                | 22   |
| GENERATOR BOX ASSEMBLY .....            | 24   |
| SKID ASSEMBLY .....                     | 26   |
| COOLING SYSTEM ASSEMBLY .....           | 28   |
| ENGINE TO SKID ASSEMBLY .....           | 30   |
| SMALL SIDE & END PANEL ASSEMBLIES ..... | 32   |
| FRONT CORNER ASSEMBLY .....             | 33   |
| LEFT REAR CORNER ASSEMBLY .....         | 34   |
| RIGHT REAR CORNER ASSEMBLY .....        | 36   |
| LEFT FRONT DOOR ASSEMBLY .....          | 38   |
| RIGHT FRONT DOOR ASSEMBLY .....         | 39   |
| LEFT REAR DOOR ASSEMBLY .....           | 40   |
| CONTROL DOOR ASSEMBLY .....             | 41   |
| END PANEL ASSEMBLIES .....              | 42   |
| SIDE PANEL ASSEMBLIES .....             | 43   |
| ROOF ASSEMBLY .....                     | 44   |
| TRAILER ASSEMBLY - SINGLE AXLE .....    | 46   |
| TRAILER ASSEMBLY - TANDEM AXLE .....    | 48   |
| BRAKE LINES - SINGLE AXLE .....         | 50   |
| BRAKE LINES - TANDEM AXLE .....         | 51   |

# ENCLOSURE PANELS



| <b>ITEM</b> | <b>PAGE</b>    | <b>QTY</b> | <b>DESCRIPTION</b>            |
|-------------|----------------|------------|-------------------------------|
| 1           | <i>Page 44</i> | 1          | Roof panel assembly           |
| 2           | <i>Page 43</i> | 1          | Left top side panel assembly  |
| 3           | <i>Page 33</i> | 1          | Left front corner assembly    |
| 4           | <i>Page 38</i> | 1          | Left front door assembly      |
| 5           | <i>Page 32</i> | 5          | End/side panel assembly       |
| 6           | <i>Page 43</i> | 2          | Center panel assembly         |
| 7           | <i>Page 40</i> | 1          | Left rear door assembly       |
| 8           | <i>Page 32</i> | 1          | Side panel assembly (short)   |
| 9           | <i>Page 34</i> | 1          | Left rear corner assembly     |
| 10          | <i>Page 42</i> | 1          | Rear panel assembly           |
| 11          | <i>Page 43</i> | 1          | Right top side panel assembly |
| 12          | <i>Page 36</i> | 1          | Right rear corner assembly    |
| 13          | <i>Page 41</i> | 1          | Control door assembly         |
| 14          | <i>Page 39</i> | 1          | Right front door assembly     |
| 15          | <i>Page 33</i> | 1          | Right front corner assembly   |
| 16          | <i>Page 42</i> | 1          | Front panel assembly          |

# UNIT DECALS



Located on tongue of trailered units:



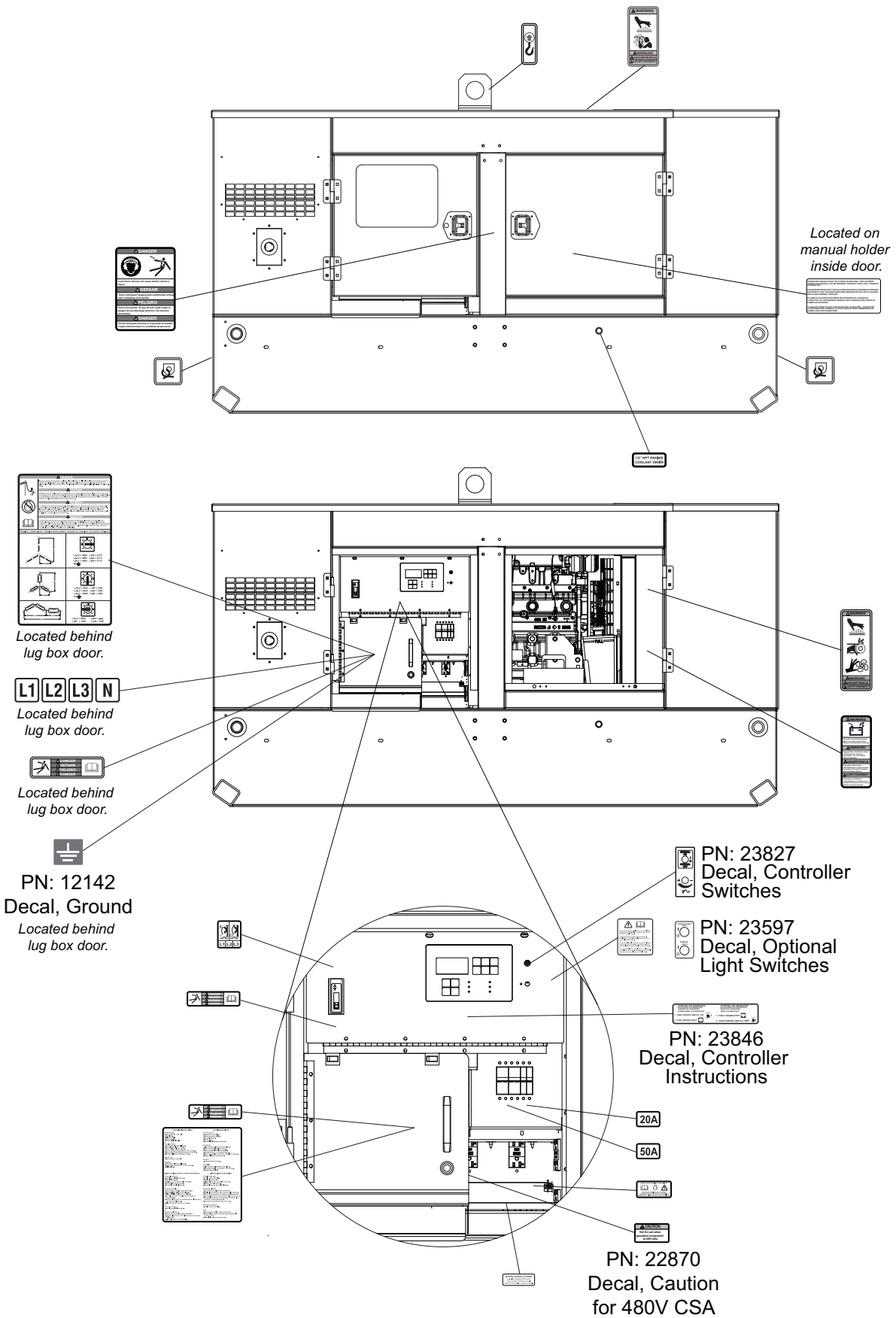
PN: 29003  
Decal, Tire load ST 225/75R-15 5000



PN: 29011  
Decal, Tire load ST205/75R-15 (TANDEM)

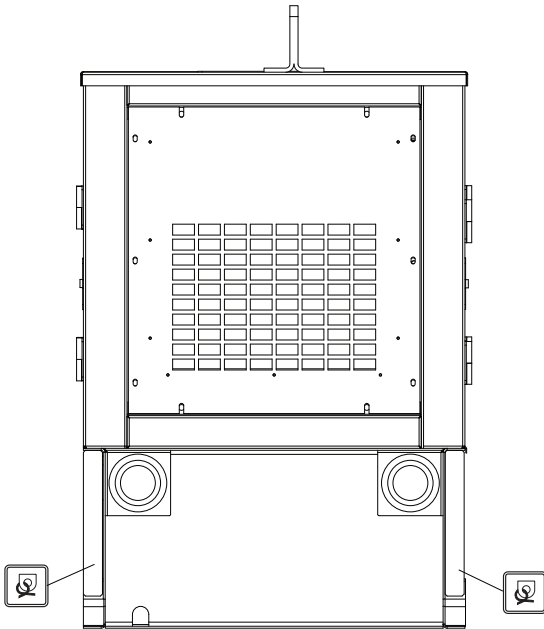
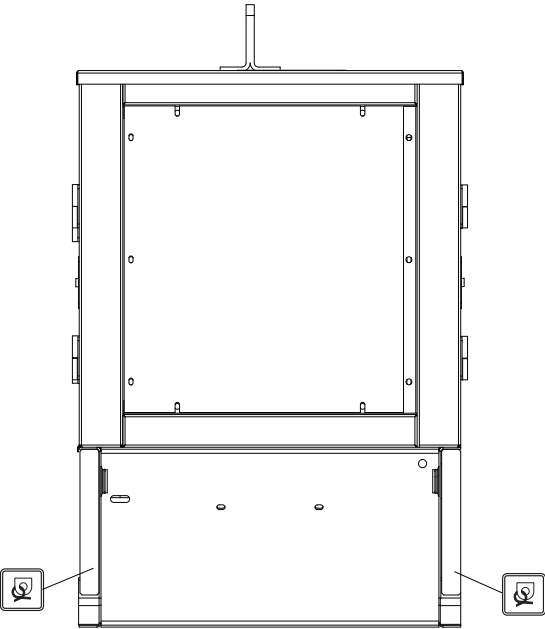
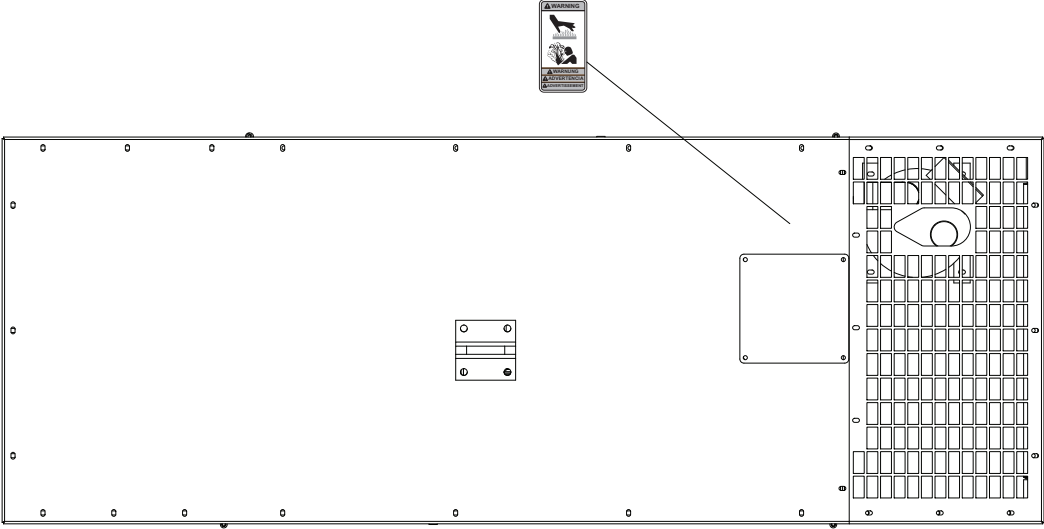
**Note:** All safety and operating decals are located on decal sheet 23599, unless otherwise noted.

# UNIT DECALS (CONTINUED)



**Note:** All safety and operating decals are located on decal sheet 23599, unless otherwise noted.

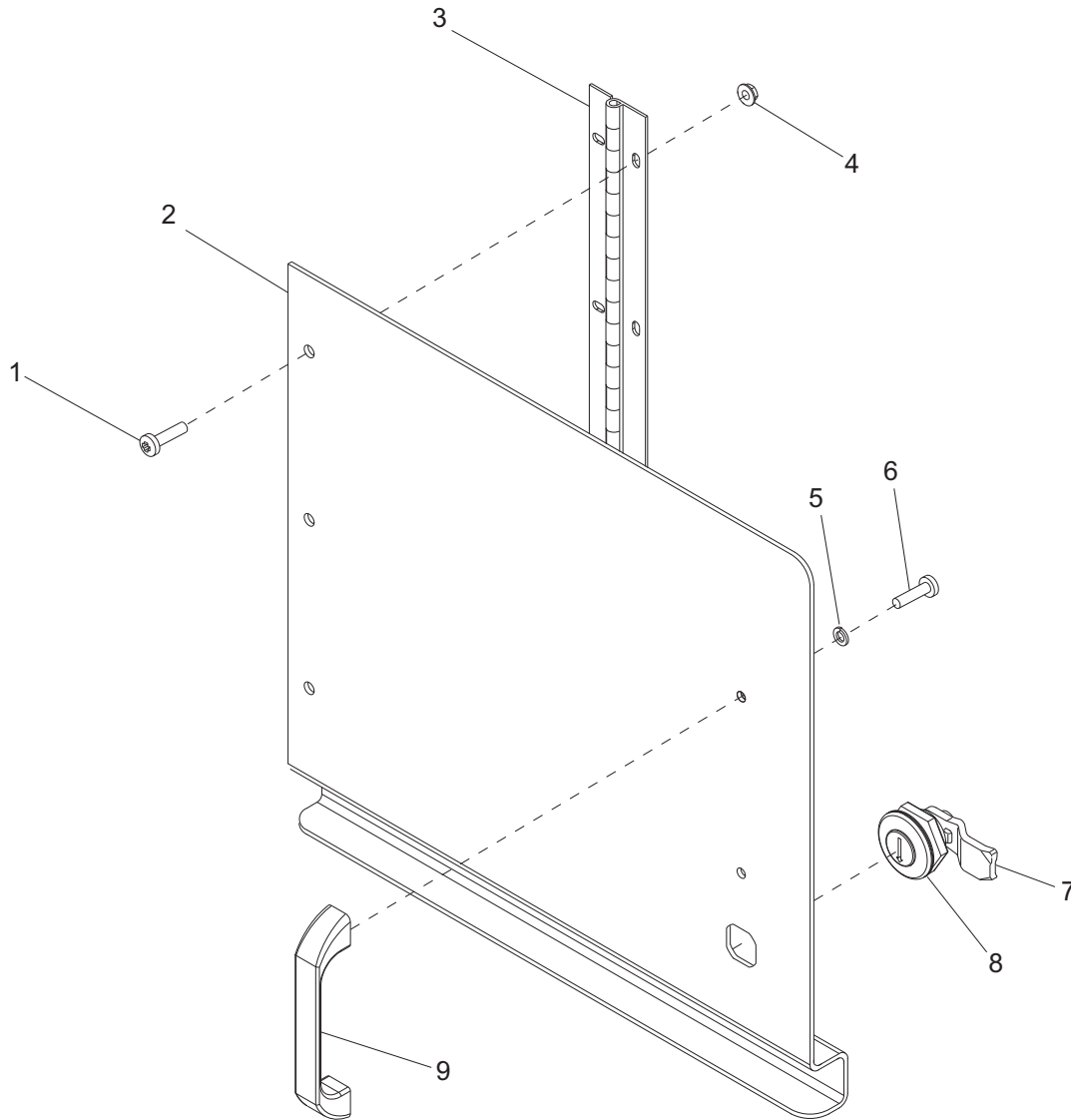
**UNIT DECALS (CONTINUED)**



**Note:** All safety and operating decals are located on decal sheet 23599, unless otherwise noted.

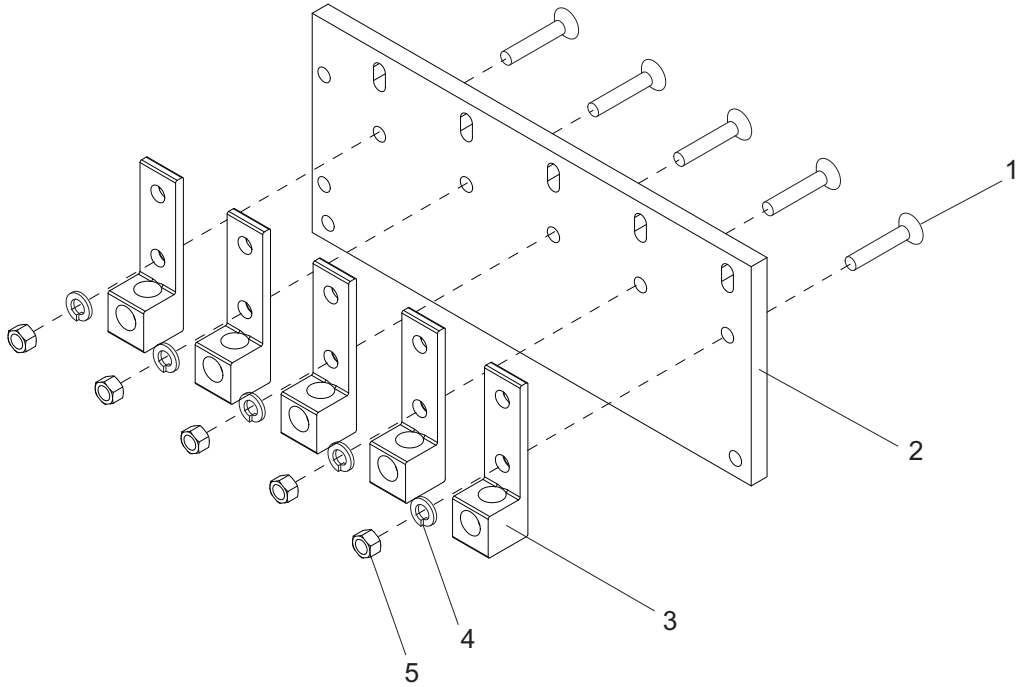


# LUG BOX DOOR



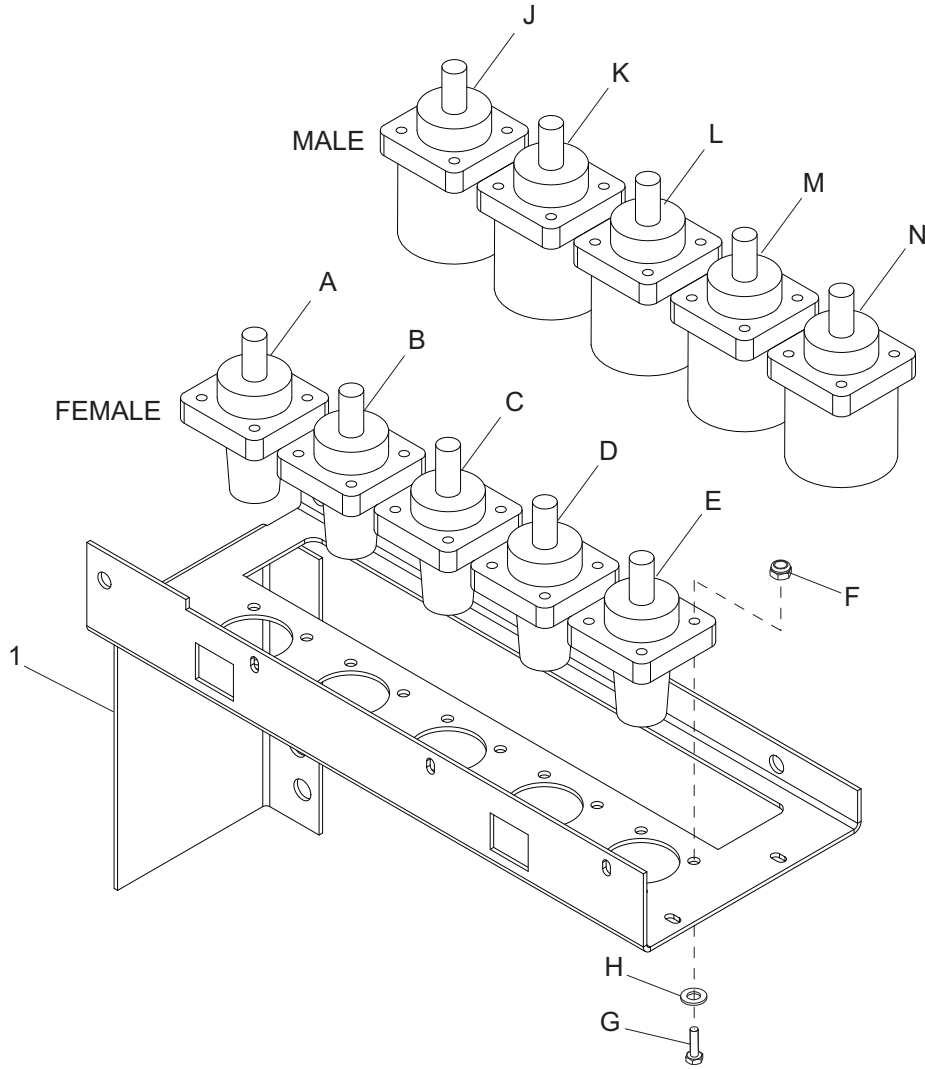
| ITEM | PART NO. | QTY | DESCRIPTION                   | NOTES |
|------|----------|-----|-------------------------------|-------|
| 1    | 60398    | 3   | Screw, 10-32x.500 pan phil    |       |
| 2    | 28570W   | 1   | Door, lug box                 |       |
| 3    | 22018    | 1   | Hinge, continuous - 10.25 in  |       |
| 4    | 61045    | 3   | Nut, 10-32 ser flg            |       |
| 5    | 60252    | 2   | Washer, split lock #10        |       |
| 6    | 60068    | 2   | Screw, 10-24x.500 pan phil    |       |
| 7    | 12550    | 1   | Cam lock lever leg            |       |
| 8    | 12547    | 1   | Assembly, cam lock, qrtr turn |       |
| 9    | 18893    | 1   | Handle, lug door              |       |

# LUG PLATE ASSEMBLY



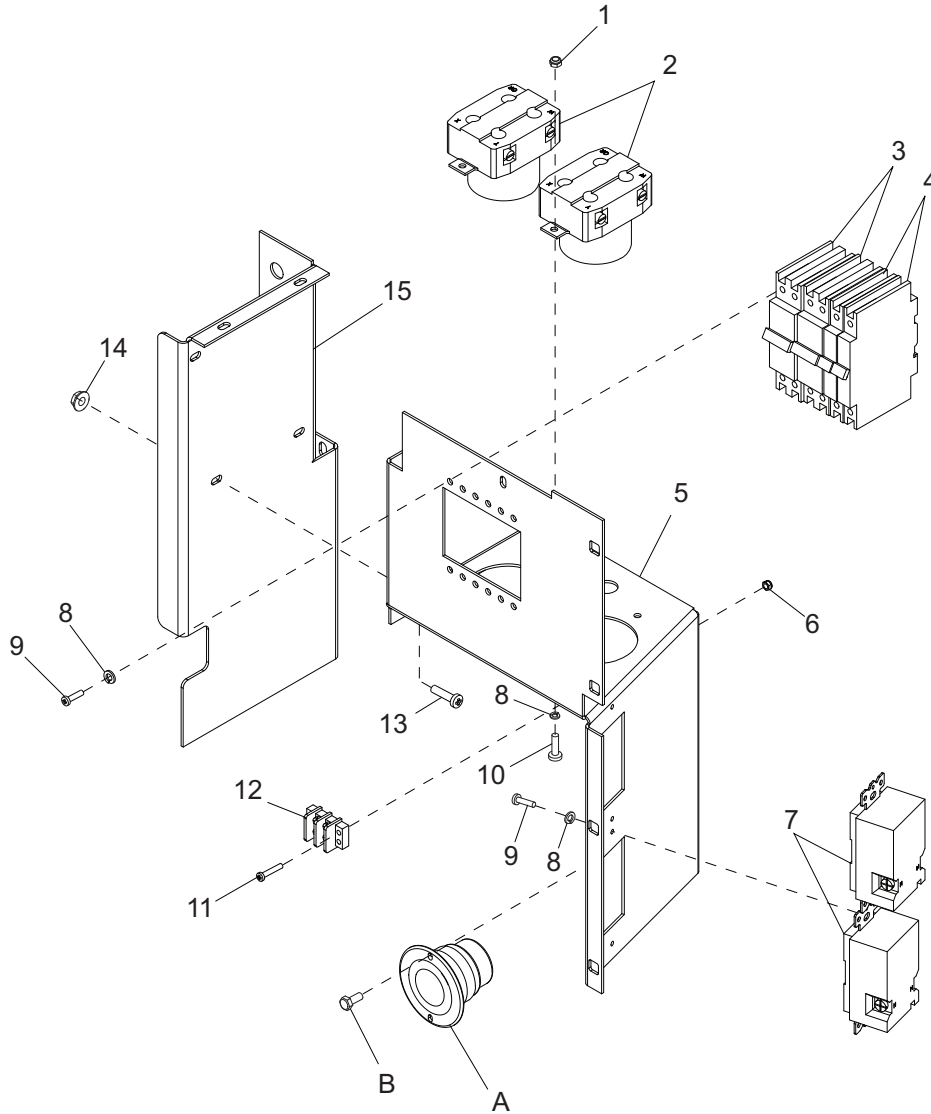
| ITEM | PART  | QTY | DESCRIPTION                            | NOTES |
|------|-------|-----|--|-------|
| 1    | 61005 | 5   | Screw, .375-16x1.750 flat hex          |       |
| 2    | 27828 | 1   | Panel, lug box glastic                 |       |
| 3    | 65677 | 5   | Lug, terminal single #6-350MCM, 2 hole |       |
| 4    | 60206 | 5   | Washer, .375 split lock                |       |
| 5    | 60140 | 5   | Nut, .375-16 hex                       |       |

# CAM LOCK PANEL ASSEMBLY



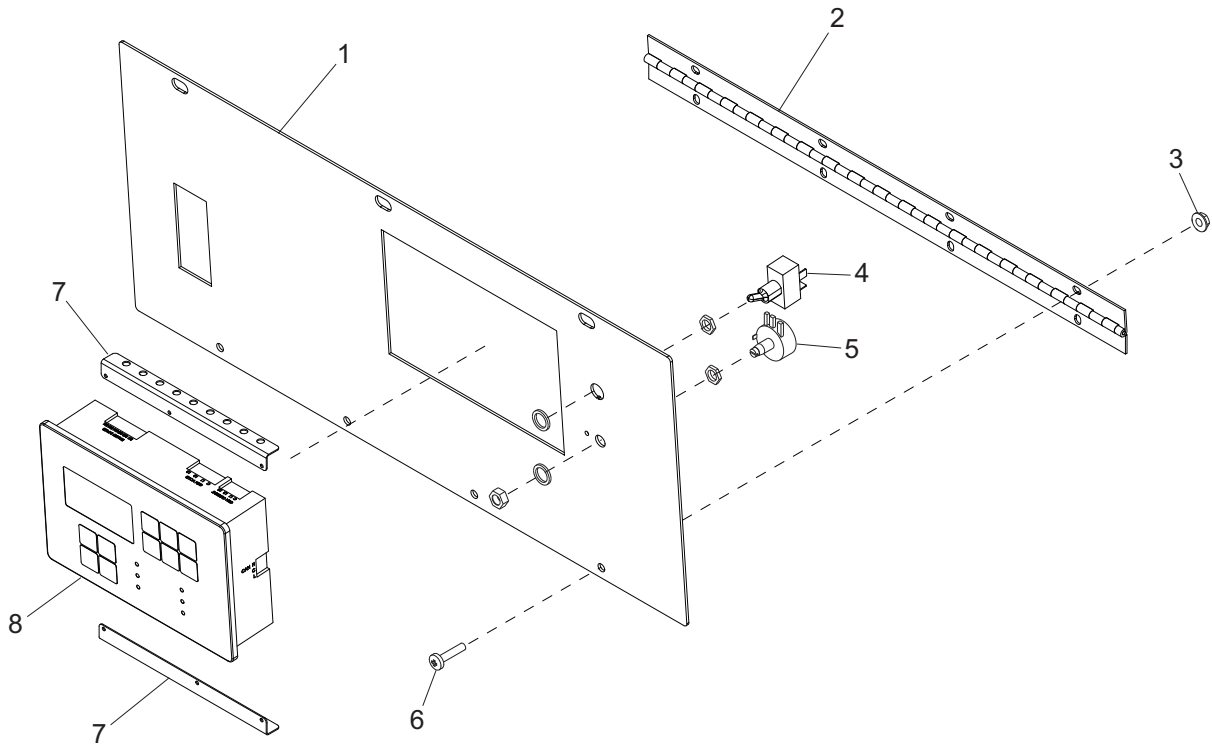
| ITEM | PART   | QTY | DESCRIPTION                       | NOTES             |
|------|--------|-----|-----------------------------------|-------------------|
| 1    | 27825B | 1   | Panel, lug box top                |                   |
| A    | 65551  | 1   | Conn. cam lock fml, 400A - black  | Option: cam locks |
| B    | 65552  | 1   | Conn. cam lock fml, 400A - red    | Option: cam locks |
| C    | 65553  | 1   | Conn. cam lock fml, 400A - blue   | Option: cam locks |
| D    | 66040  | 1   | Conn. cam lock fml, 400A - white  | Option: cam locks |
| E    | 66041  | 1   | Conn. cam lock fml, 400A - green  | Option: cam locks |
| F    | 60061  | 20  | Nut, 10-32 nylock                 | Option: cam locks |
| G    | 60397  | 20  | Screw, 10-32x1.0 pan phil         | Option: cam locks |
| H    | 60237  | 20  | Washer, #10 flat                  | Option: cam locks |
| J    | 66037  | 1   | Conn. cam lock male, 400A - black | Option: cam locks |
| K    | 66038  | 1   | Conn. cam lock male, 400A - red   | Option: cam locks |
| L    | 66039  | 1   | Conn. cam lock male, 400A - blue  | Option: cam locks |
| M    | 65554  | 1   | Conn. cam lock male, 400A - white | Option: cam locks |
| N    | 65555  | 1   | Conn. cam lock male, 400A - green | Option: cam locks |

# OUTLET PANEL ASSEMBLY



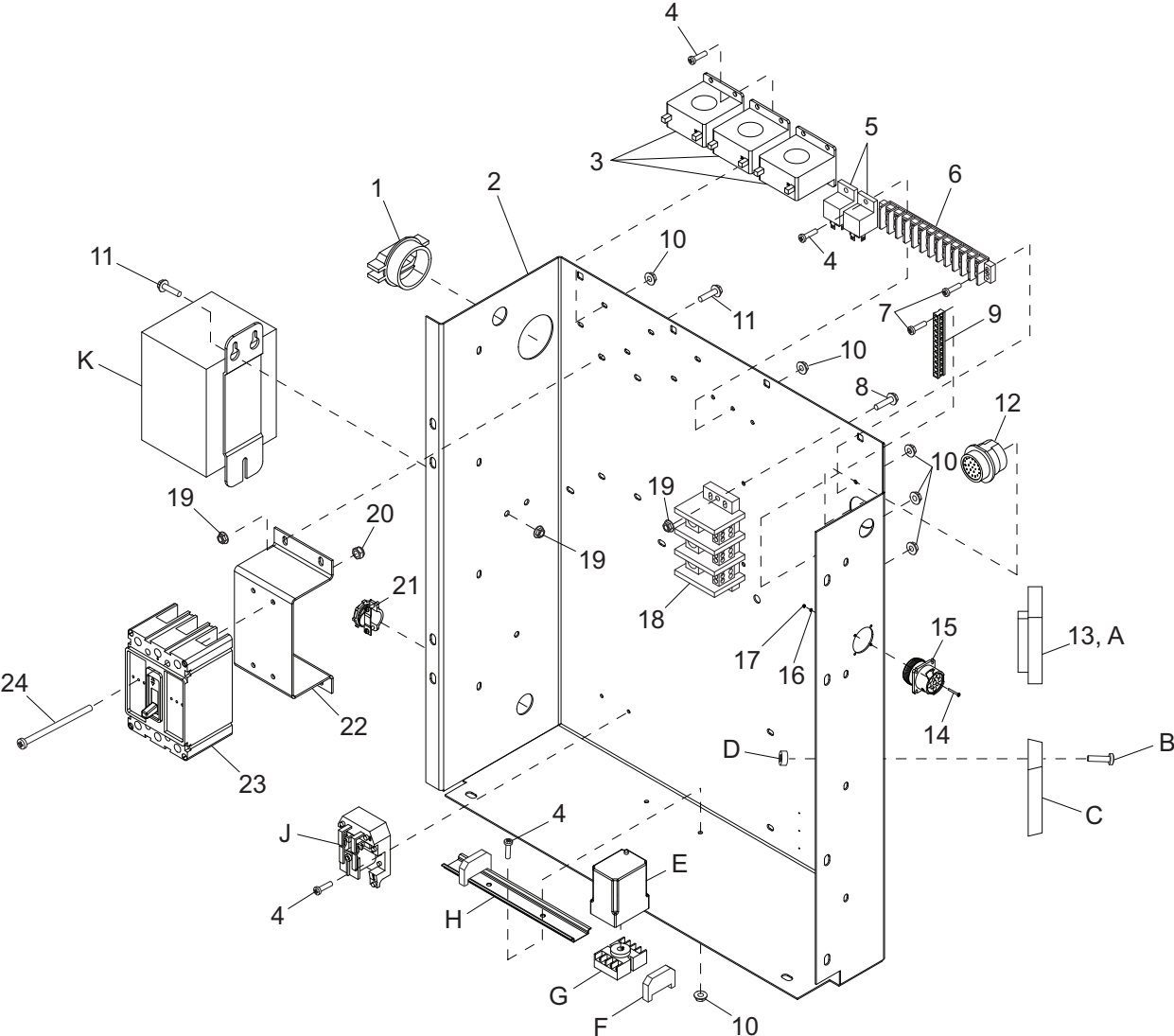
| ITEM | PART   | QTY | DESCRIPTION                           | NOTES               |
|------|--------|-----|---------------------------------------|---------------------|
| 1    | 60061  | 4   | Nut, 10-32 nylock                     |                     |
| 2    | 18089  | 2   | Receptacle, 240V/50A twist-lock       |                     |
| 3    | 18092  | 2   | Breaker, 50A/240V, 2 pole             |                     |
| 4    | 18091  | 2   | Breaker, 20A/240V, 1 pole             |                     |
| 5    | 27867B | 1   | Panel, outlet                         |                     |
| 6    | 60290  | 2   | Nut, 6-32 nylock, SS                  |                     |
| 7    | 14130  | 2   | Receptacle, 120V/20A GFI              |                     |
| 8    | 60058  | 16  | Washer, #6 split lock                 |                     |
| 9    | 60405  | 16  | Screw, 6-32x.250 pan phil             |                     |
| 10   | 60648  | 4   | Screw, 10-32x.500 pan phil thrd form  |                     |
| 11   | 60046  | 2   | Screw, 6-32x.750 pan phil             |                     |
| 12   | 18890  | 1   | Terminal block, 2 pos                 |                     |
| 13   | 60398  | 2   | Screw, 10-32x.500 pan phil, SS        |                     |
| 14   | 61045  | 2   | Nut 10-32 sflg                        |                     |
| 15   | 27864B | 1   | Panel, lug box side                   |                     |
| A    | 65285  | 2   | Receptacle, 120V/15A inlet (5-15R)    | Option: Edison plug |
| B    | 60364  | 2   | Screw, 10-16x.500 std hex, self drill | Option: Edison plug |

# CONTROL PANEL ASSEMBLY



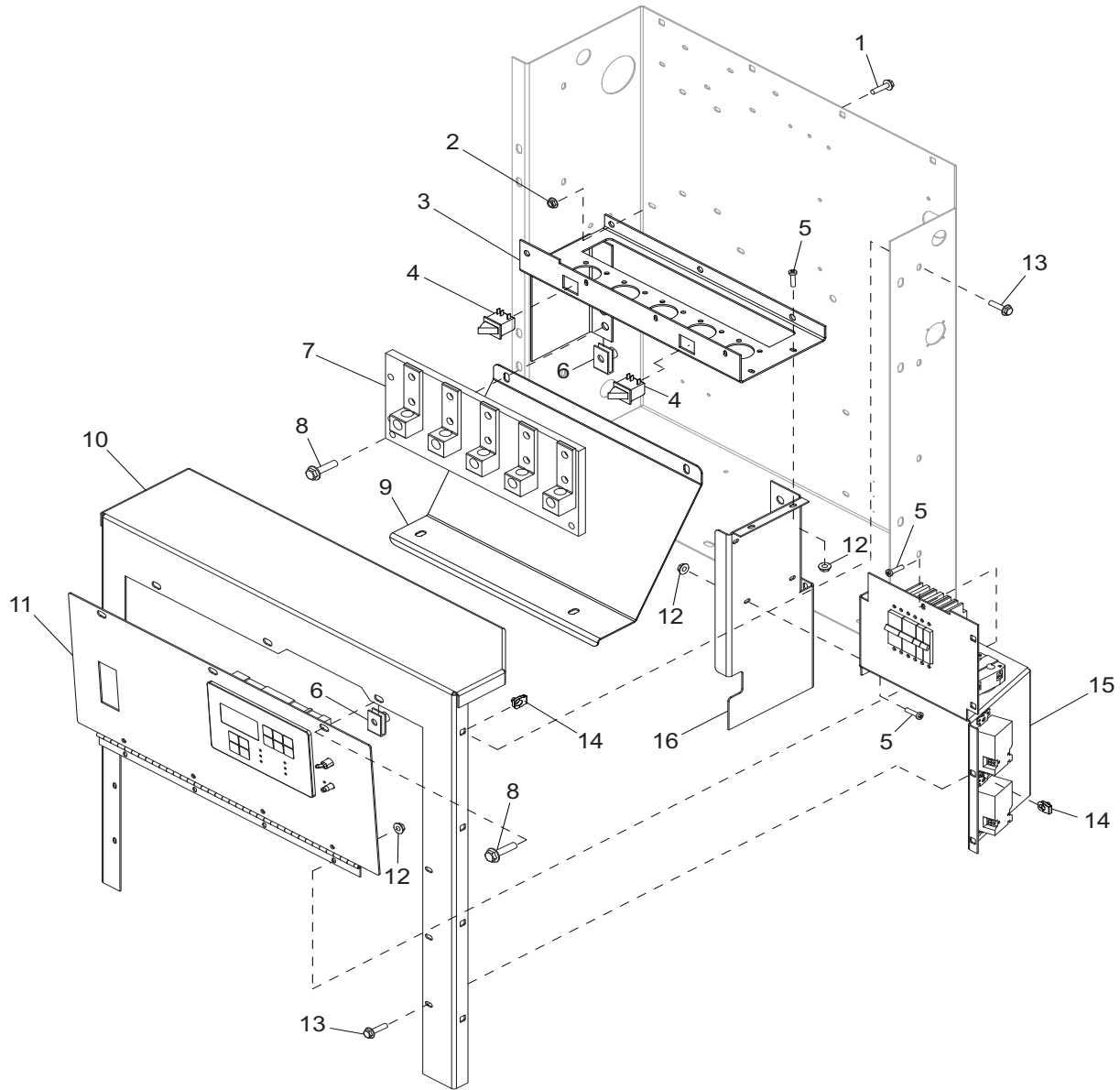
| ITEM | PART   | QTY | DESCRIPTION                           | NOTES     |
|------|--------|-----|---------------------------------------|-----------|
| 1    | 27827W | 1   | Panel, control                        |           |
| 2    | 18598  | 1   | Hinge, controller panel - 18.75 in    |           |
| 3    | 61045  | 4   | Nut, 10-32 sflg                       |           |
| 4    | 25077  | 1   | Switch, toggle - S.P.S.T. 20A VAC     |           |
| 5    | 26229  | 1   | Kit, voltage adjustment potentiometer |           |
| 6    | 60398  | 4   | Screw, 10-32x.500 pan phil, SS        |           |
| 7    | 29893  | 2   | Bracket, control board wire guide     |           |
| 8    | 66459  | 1   | Controller, eng/gen                   |           |
| --   | 18934  | 1   | Guard, potentiometer                  | Not shown |

# CONTROL BOX ASSEMBLY



| ITEM | PART   | QTY | DESCRIPTION                               | NOTES                                   |
|------|--------|-----|---|---|
| 1    | 65788  | 1   | Strain relief- 2.00 Romex w/nut           |   |
| 2    | 27819B | 1   | Box, control                              |   |
| 3    | 65685  | 3   | Transformer, current - terminals (200:5A) |   |
| 4    | 60398  | 6   | Screw, 10-32x.500 pan phil, SS            |   |
| 5    | 66455  | 2   | Relay, 12V, 70A NC/80A NO w/diode         |   |
| 6    | 14139  | 1   | Block, terminal - 12 pos                  |   |
| 7    | 60062  | 4   | Screw, 10-32x.750 pan phil                |   |
| 8    | 60024  | 2   | Screw, M6-1.00x25 sflg hex                |   |
| 9    | 14204  | 1   | Kit, ground bar                           |   |
| 10   | 61045  | 16  | Nut, 10-32 sflg                           |   |
| 11   | 60115  | 5   | Screw, M6-1.00x12 sflg hex                |   |
| 12   | 65309  | 1   | Connector, 21 pin Deutsch                 |   |
| 13   | 18556  | 1   | Regulator, voltage - SE350                |   |
| 14   | 60757  | 4   | Screw, 4-40x.750 pan phil                 |   |
| 15   | 66361  | 1   | Connector, Deutsch - 9 pos plug           |   |
| 16   | 60084  | 4   | Washer, M4 flat                           |   |
| 17   | 60758  | 4   | Nut, 4-40 nylock                          |   |
| 18   | 65356  | 1   | Block, terminal - 3 pole, Bussman         |   |
| 19   | 60036  | 9   | Nut, M6-1.00 sflg lock                    |   |
| 20   | 60051  | 4   | Nut, M4-.70 nylock                        |   |
| 21   | 14219  | 1   | Strain relief - .75 Romex w/nut           |   |
| 22   | 27890B | 1   | Bracket, breaker                          |   |
| 23   | 65452  | 1   | Breaker, 225A                             |   |
| 24   | 60159  | 4   | Screw, M4-0.70x45 pan phil                |   |
| A    | 22729  | 1   | Regulator, voltage - PM300                | Option: only for use with PMG generator |
| B    | 60524  | 2   | Screw, 10-24x.625 pan phil                | Option: battery charger                 |
| C    | 65326  | 1   | Charger, battery - 2A, 3-stage            | Option: battery charger                 |
| D    | 60457  | 2   | Nut, 10-24 nylock                         | Option: battery charger                 |
| E    | 66340  | 1   | Relay, volt sensing (132V in 126V out)    | Option: buck transformer                |
| F    | 65674  | 2   | Stop, 35MM din rail end                   | Option: buck transformer                |
| G    | 65644  | 1   | Base, relay - 8 pos                       | Option: buck transformer                |
| H    | 65673  | 1   | Rail, din - 35MMx9.00"                    | Option: buck transformer                |
| J    | 65461  | 1   | Relay, 30A DPDT 120VAC power              | Option: buck transformer                |
| K    | 21487  | 1   | Transformer, 1.13:1 1-phase 500VA         | Option: buck transformer                |

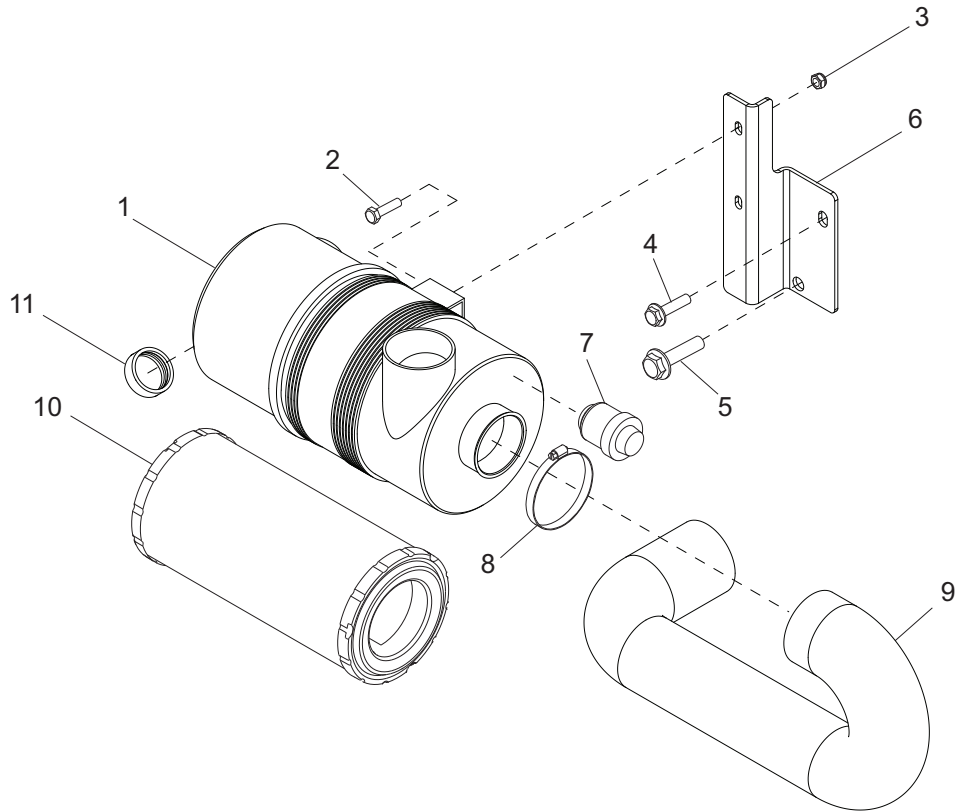
# CONTROL BOX ASSEMBLY CONTINUED



| ITEM | PART                    | QTY | DESCRIPTION                     | NOTES |
|------|-------------------------|-----|---------------------------------|-------|
| 1    | 60115                   | 3   | Screw, M6-1.00x12 sflg hex      |       |
| 2    | 60036                   | 3   | Nut, M6-1.00 sflg lock          |       |
| 3    | 27825B                  | 1   | Panel, lug box top              |       |
| 4    | 12632                   | 2   | Switch, trigger safety, NO & NC |       |
| 5    | 60398                   | 8   | Screw, 10-32x.500 pan phil, SS  |       |
| 6    | 60505                   | 6   | Nut, .312-18 U-clip             |       |
| 7    | <a href="#">Page 16</a> | 1   | Assembly, lug plate             |       |
| 8    | 61091                   | 6   | Screw, .312-18x1.00 sflg hex    |       |
| 9    | 27866B                  | 1   | Panel, lug box outlet           |       |
| 10   | 27826W                  | 1   | Panel, control box cover        |       |
| 11   | <a href="#">Page 13</a> | 1   | Assembly, control panel         |       |
| 12   | 61045                   | 8   | Nut, 10-32 sflg                 |       |
| 13   | 60175                   | 12  | Screw, .250-20x.500 sflg hex    |       |
| 14   | 15424                   | 12  | Nut, .250-20 cage               |       |
| 15   | <a href="#">Page 12</a> | 1   | Assembly, outlet panel          |       |
| 16   | 27864B                  | 1   | Panel, lug box side             |       |

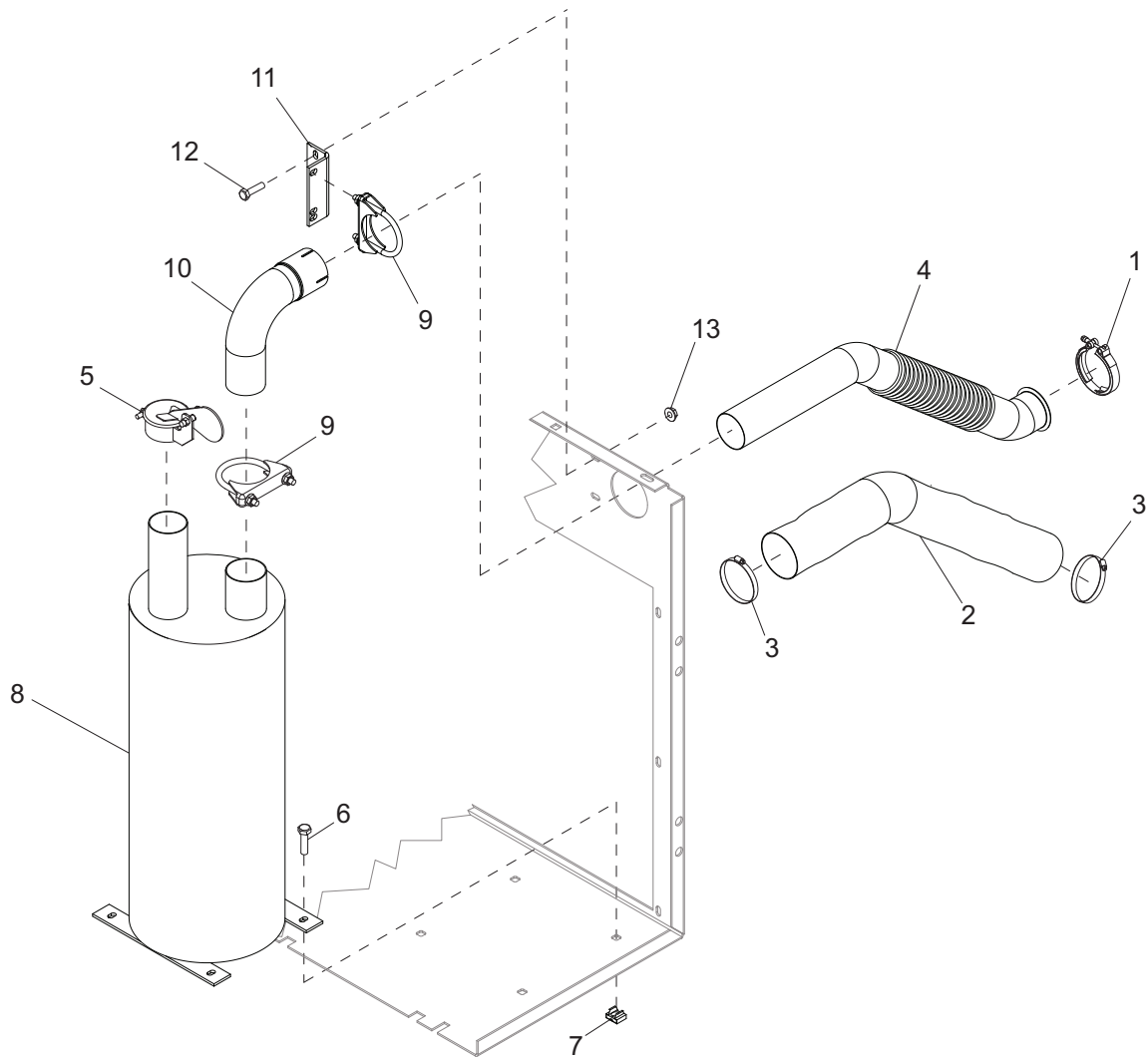


# AIR FILTER ASSEMBLY



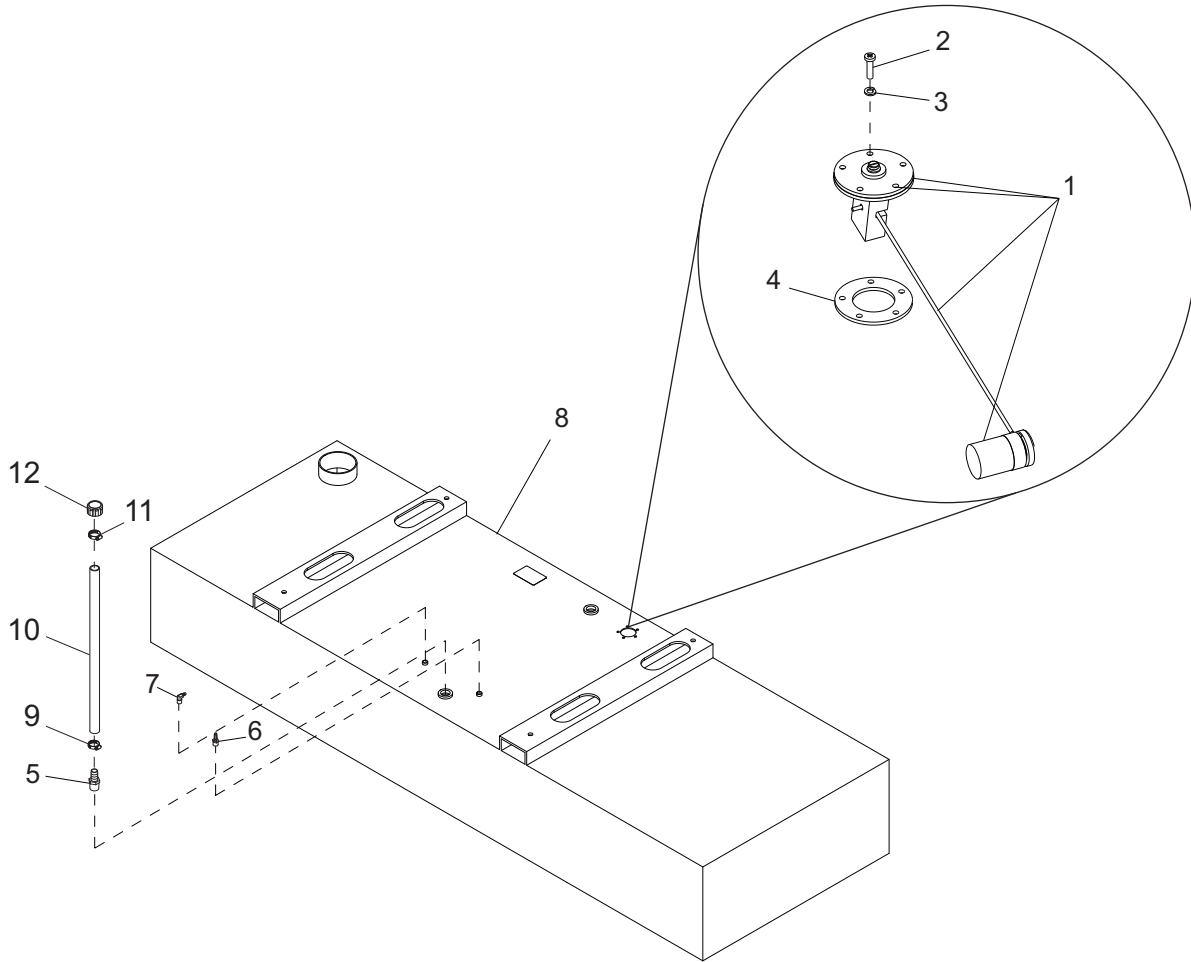
| ITEM | PART NO. | QTY | DESCRIPTION                       | NOTES |
|------|----------|-----|-----------------------------------|-------|
| 1    | 22967    | 1   | Filter, air, assy                 |       |
| 2    | 61061    | 2   | Screw, .312-18x.875 std hex       |       |
| 3    | 60303    | 2   | Nut, .312-18 nylock               |       |
| 4    | 60009    | 1   | Screw, M8-1.25x25 sflg hex        |       |
| 5    | 60072    | 1   | Screw, M12-1.75x25 sflg hex       |       |
| 6    | 27960B   | 1   | Bracket, air filter               |       |
| 7    | 24518    | 1   | Gauge, filter restriction         |       |
| 8    | 19717    | 1   | Clamp, hose - SAE 064 (3.56-4.50) |       |
| 9    | 27946    | 1   | Hose, air intake                  |       |
| 10   | 22874    | 1   | Element, air filter               |       |
| 11   | 19277    | 1   | Cap, dust ejector                 |       |

# EXHAUST SYSTEM ASSEMBLY



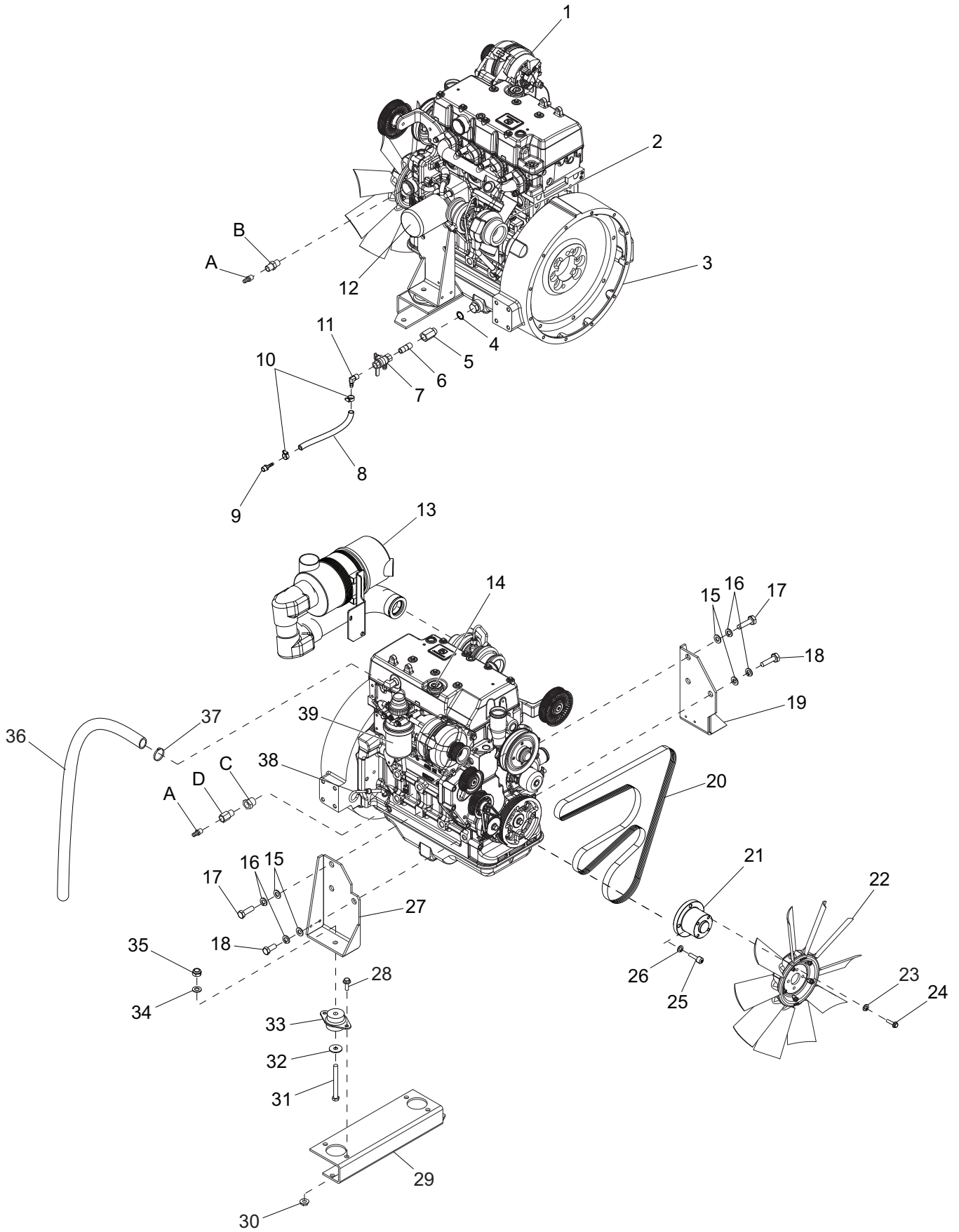
| ITEM | PART NO. | QTY  | DESCRIPTION                  | NOTES |
|------|----------|------|------------------------------|-------|
| 1    | 18823    | 1    | Clamp, muffler - 2.00        |       |
| 2    | 26479    | 4 ft | Sleeve, high temp - 3.00     |       |
| 3    | 19336    | 2    | Clamp, hose - SAE 044        |       |
| 4    | 30791    | 1    | Pipe, exhaust                |       |
| 5    | 25647    | 1    | Cap, rain - 2.50             |       |
| 6    | 61091    | 4    | Screw, .312-18x1.00 sflg hex |       |
| 7    | 15425    | 4    | Nut, .312-18 cage            |       |
| 8    | 27963    | 1    | Muffler, exhaust             |       |
| 9    | 15550    | 2    | Clamp, muffler - 2.5"        |       |
| 10   | 27942    | 1    | Pipe, exhaust                |       |
| 11   | 26721B   | 1    | Bracket, muffler support     |       |
| 12   | 60507    | 2    | Screw, .312-18x1.00 hex, SS  |       |
| 13   | 60095    | 2    | Nut, .312-18 sflg            |       |

# FUEL TANK ASSEMBLY



| ITEM | PART   | QTY     | DESCRIPTION                              | NOTES             |
|------|--------|---------|--|-------------------|
| 1    | 20571  | 1       | Sender, fuel                             |                   |
| 2    | 60062  | 5       | Screw, 10-32x.750 pan hd phil            |                   |
| 3    | 60252  | 5       | Washer, #10 split lock                   |                   |
| 4    | 22323  | 1       | Gasket, fuel sending unit                |                   |
| 5    | 21451  | 1       | Fitting, strt - 1.00MNPTx1.00 barb       |                   |
| 6    | 15142  | 1       | Fitting, strt - .250NPTx.312 barb        |                   |
| 7    | 15693  | 1       | Fitting, 90° - .250NPTx.312 barb, brass  |                   |
| 8    | 27719B | 1       | Tank, fuel - 110 gal                     |                   |
| 9    | 62243  | 1       | Clamp, hose - .813-1.50 constant torque  |                   |
| 10   | 50019  | 3.00 ft | Hose, fuel - 1"                          |                   |
| 11   | 62040  | 1       | Clamp, hose, 1.5 fuel hose               | Crimp style       |
| 12   | 26379  | 1       | Vent, plastic fuel 1.00 ID               |                   |
| --   | 27916B | 1       | Tank, fuel - dbl wall 93 gal (84 usable) | Option: not shown |

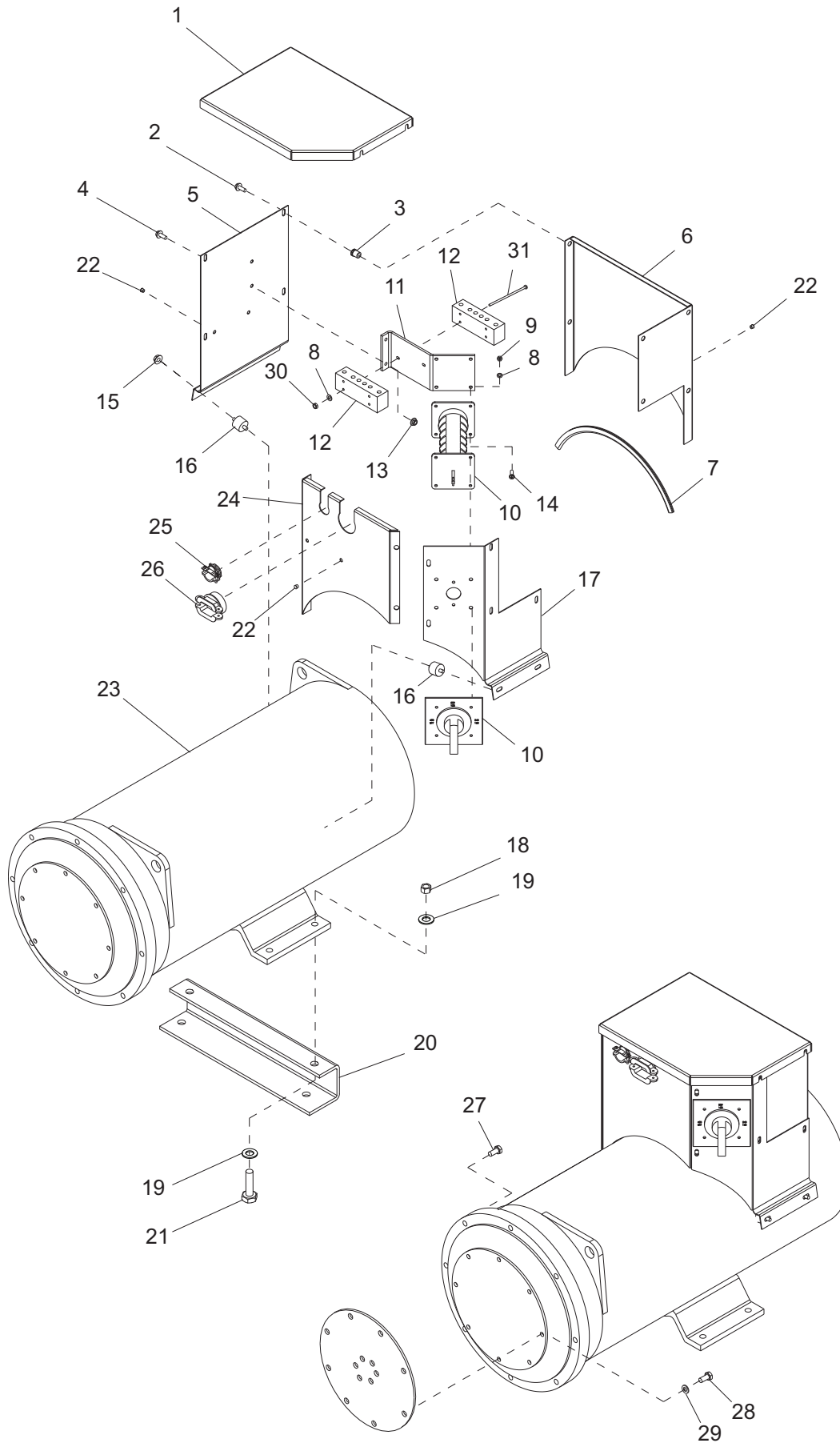
# ENGINE ASSEMBLY



| ITEM | PART NO. | QTY     | DESCRIPTION                               | NOTES                  |
|------|----------|---------|---|------------------------|
| 1    | 26270    | 1       | Alternator, engine                        |                        |
| 2    | 23105    | 1       | Starter, engine                           |                        |
| 3    | 27814    | 1       | Engine, Deere 4024HF285                   |                        |
| 4    | 19467    | 1       | Seal, M22                                 |                        |
| 5    | 19307    | 1       | Fitting, strt - .500FNPTxM22x1.50, brass  |                        |
| 6    | 60438    | 1       | Nipple, pipe - .500 NPT                   |                        |
| 7    | 19279    | 1       | Valve, ball - .500 NPTF                   |                        |
| 8    | 50201    | 2.5 ft  | Hose, coolant - .625 I.D.                 |                        |
| 9    | 60502    | 1       | Fitting, strt - .500MNPTx.625 barb, brass |                        |
| 10   | 60365    | 2       | Clamp, hose - SAE 010 (.56-1.06)          |                        |
| 11   | 61014    | 1       | Fitting, 90° - .500MNPTx.625 barb, brass  |                        |
| 12   | 29487    | 1       | Filter, oil                               |                        |
| 13   | Page 17  | 1       | Assembly, air filter                      |                        |
| 14   | 29486    | 1       | Oil fill cap                              |                        |
| 15   | 60521    | 6       | Washer, .625 flat                         |                        |
| 16   | 60522    | 6       | Washer, .625 split lock                   |                        |
| 17   | 60381    | 4       | Screw, M16-2.00x50 hex hd                 |                        |
| 18   | 60489    | 2       | Screw, M16-2.00x40 hex hd                 |                        |
| 19   | 24204B   | 1       | Weldment, engine mount - left             |                        |
| 20   | 29489    | 1       | Belt, fan                                 |                        |
| 21   | 41048    | 1       | Spacer, fan                               |                        |
| 22   | 24933    | 1       | Fan, pusher - 20" CW                      |                        |
| 23   | 60029    | 4       | Washer, M8 split lock                     |                        |
| 24   | 61024    | 4       | Screw, .312-18x1.00 std hex               |                        |
| 25   | 60859    | 4       | Screw, M10-1.5x45 soc hd                  |                        |
| 26   | 60026    | 4       | Washer, split lock M10                    |                        |
| 27   | 24205B   | 1       | Weldment, engine mount - right            |                        |
| 28   | 60018    | 4       | Screw, M10-1.25x20 sflg hex               |                        |
| 29   | 27962B   | 1       | Bracket, engine mount adapter             |                        |
| 30   | 60064    | 4       | Nut, M10-1.50 sflg lock                   |                        |
| 31   | 61094    | 2       | Screw, .500-13x3.50 std hex               |                        |
| 32   | 18085    | 2       | Washer, snubber                           |                        |
| 33   | 22788    | 2       | Mount, rubber shock                       |                        |
| 34   | 60416    | 2       | Washer, flat .500                         |                        |
| 35   | 60307    | 2       | Nut, .500-13 hex nylock                   |                        |
| 36   | 50332    | 3.75 ft | Hose, fuel - .750 ID, 35 psi, SAE 30R7    |                        |
| 37   | 62243    | 1       | Clamp, hose - .813-1.50 constant torque   |                        |
| 38   | 26269    | 1       | Dipstick, oil                             |                        |
| 39   | 29488    | 1       | Filter, fuel                              |                        |
| --   | 24552    | 1       | Filter, oil recirculation                 | Not shown              |
| A    | 25931    | 2       | Fitting, hose - .375NPTx.625 barb         | Option: coolant heater |
| B    | 62206    | 1       | Fitting, strt-.375FNPTxM14x1.5 O-ring MI  | Option: coolant heater |
| C    | 22866    | 1       | Fitting, strt-.125FNPTxM14x1.5 O-ring SI  | Option: coolant heater |
| D    | 23391    | 1       | Fitting, strt-.375FNPTx.125MNPT, brass    | Option: coolant heater |

**Note:** Engine and generator parts used in all Generac equipment carry the Original Equipment Manufacturer (OEM) warranty unless otherwise stated. OEM warranty parts must be purchased through an authorized Generac dealer. Please contact Generac with questions.

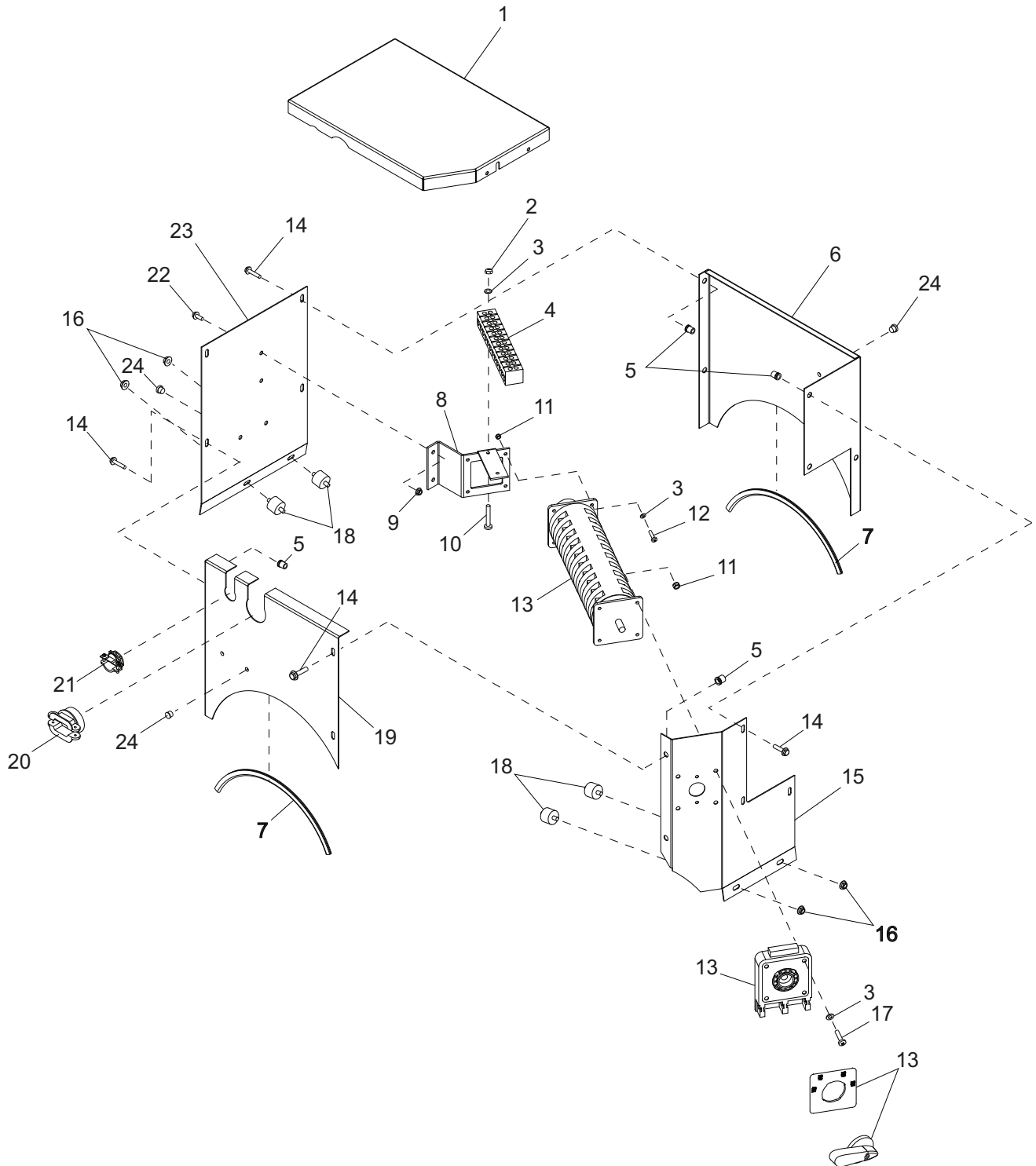
# GENERATOR ASSEMBLY



| ITEM | PART   | QTY | DESCRIPTION                      | NOTES                             |
|------|--------|-----|----------------------------------|-----------------------------------|
| 1    | 22985B | 1   | Panel, generator box top         |                                   |
| 2    | 60135  | 10  | Screw, M6-1.0x16 sflg hex        |                                   |
| 3    | 60023  | 10  | Insert, M6 threaded              |                                   |
| 4    | 60115  | 2   | Screw, M6-1.0x12 sflg hex        |                                   |
| 5    | 22984B | 1   | Panel, right side gen box        |                                   |
| 6    | 23126B | 1   | Panel, rear generator box        |                                   |
| 7    | 19045  | 2   | Seal, generator box              |                                   |
| 8    | 60041  | 6   | Washer, M5 flat                  |                                   |
| 9    | 60038  | 4   | Nut, M5 hex nylock               |                                   |
| 10   | 65459  | 1   | Switch, phase selector - 80A     |                                   |
| 11   | 22988B | 1   | Bracket, phase switch            |                                   |
| 12   | 65481  | 2   | Block, terminal - 6 pos          |                                   |
| 13   | 60036  | 2   | Nut, M6-1.00 sflg lock           |                                   |
| 14   | 60156  | 4   | Screw, M5-0.8x16 pan hd phil     |                                   |
| 15   | 60161  | 4   | Nut, .250-20 sflg                |                                   |
| 16   | 22283  | 4   | Bolt, flex sandwich mount        |                                   |
| 17   | 23127B | 1   | Panel, left side gen box         |                                   |
| 18   | 60307  | 2   | Nut, .500-13 nylock              |                                   |
| 19   | 60416  | 4   | Washer, .500 flat                |                                   |
| 20   | 27964B | 1   | Bracket, gen mount adapter       |                                   |
| 21   | 60388  | 2   | Screw, .500-13x1.500 std hex     |                                   |
| 22   | 65491  | 6   | Plug, .281 hole x .06 thrd black |                                   |
| 23   | 24160  | 1   | Generator, 286PSL1701            |                                   |
| 24   | 22982B | 1   | Panel, front gen box             |                                   |
| 25   | 14219  | 1   | Strain relief, .75 Romex w/nut   |                                   |
| 26   | 65239  | 1   | Strain relief, 1.50 Romex w/nut  |                                   |
| 27   | 60055  | 12  | Screw, M10-1.50x35 std hex       |                                   |
| 28   | 60717  | 8   | Screw, .375-16x.750 soc hd       |                                   |
| 29   | 60698  | 8   | Washer, .375 flat, SS            |                                   |
| 30   | 60318  | 2   | Nut, 8-32 hex                    |                                   |
| 31   | 60725  | 2   | Screw, 8-32x2.500 pan head slot  |                                   |
| --   | 23103  | 3   | Bracket, selector switch         | Not shown                         |
| --   | 24576  | 1   | Kit, stator/rotor/covers         | Option: PMG Generator (not shown) |

**Note:** Engine and generator parts used in all Generac equipment carry the Original Equipment Manufacturer (OEM) warranty unless otherwise stated. OEM warranty parts must be purchased through an authorized Generac dealer. Please contact Generac with questions.

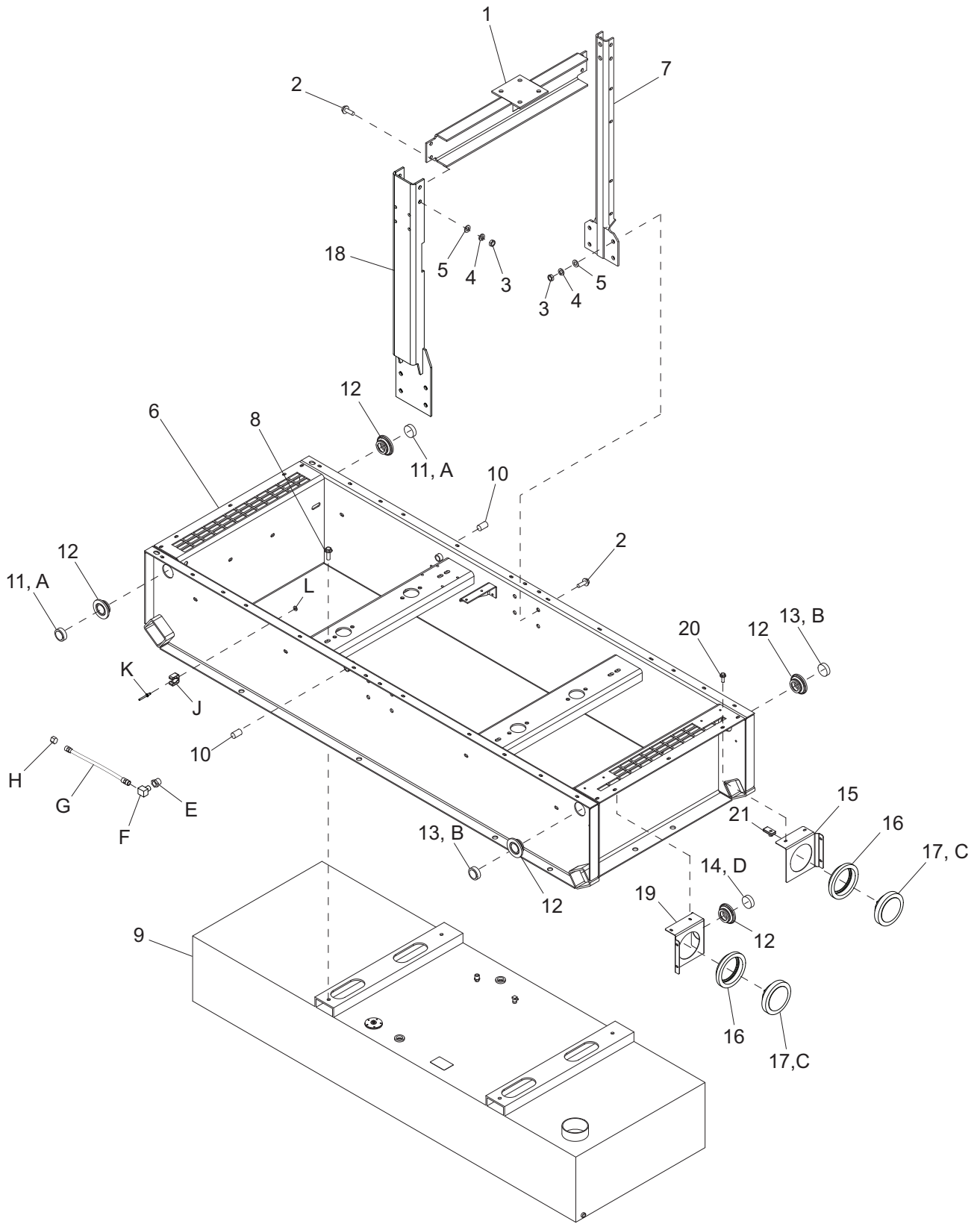
**GENERATOR BOX ASSEMBLY**  
*With 4 position voltage selector switch option.*





| <b>ITEM</b> | <b>PART</b> | <b>QTY</b> | <b>DESCRIPTION</b>                    | <b>NOTES</b> |
|-------------|-------------|------------|---------------------------------------|--------------|
| 1           | 28509B      | 1          | Panel, top gen box                    |              |
| 2           | 60051       | 2          | Nut, M4-.70 nylock                    |              |
| 3           | 60041       | 10         | Washer, M5 flat                       |              |
| 4           | 65590       | 1          | Block, terminal - 12 pos lug type     |              |
| 5           | 60023       | 9          | Insert, M6 threaded                   |              |
| 6           | 28507B      | 1          | Panel, rear gen box                   |              |
| 7           | 19351       | 2          | Seal, generator box                   |              |
| 8           | 28505B      | 1          | Bracket, phase switch - 4 pos (YyDZ)  |              |
| 9           | 60036       | 2          | Nut, M6-1.00 sflg lock                |              |
| 10          | 60159       | 2          | Screw, M4-.70x45 pan hd phil          |              |
| 11          | 60038       | 8          | Nut, M5-.80 nylock                    |              |
| 12          | 60037       | 4          | Screw, M5-0.8x20 pan head phil        |              |
| 13          | 65667       | 1          | Switch, phase - 125A, 4 pos (Y,y,D,Z) |              |
| 14          | 60024       | 9          | Screw, M6-1.0x25 sflg hex             |              |
| 15          | 28506B      | 1          | Panel, left side gen box              |              |
| 16          | 60161       | 4          | Nut, .250-20 sflg                     |              |
| 17          | 60167       | 4          | Screw, M5-0.8x35 pan hd phil          |              |
| 18          | 22283       | 4          | Bolt, flex bolt sandwich mount        |              |
| 19          | 28508B      | 1          | Panel, front gen box                  |              |
| 20          | 65239       | 1          | Strain relief - 1.50 Romex w/nut      |              |
| 21          | 14219       | 1          | Strain relief- .75 Romex w/nut        |              |
| 22          | 60135       | 2          | Screw, M6-1.0x16 sflg hex             |              |
| 23          | 28532B      | 1          | Panel, RH gen box                     |              |
| 24          | 65491       | 6          | Plug, hole .281x.06 thrd black        |              |

# SKID ASSEMBLY

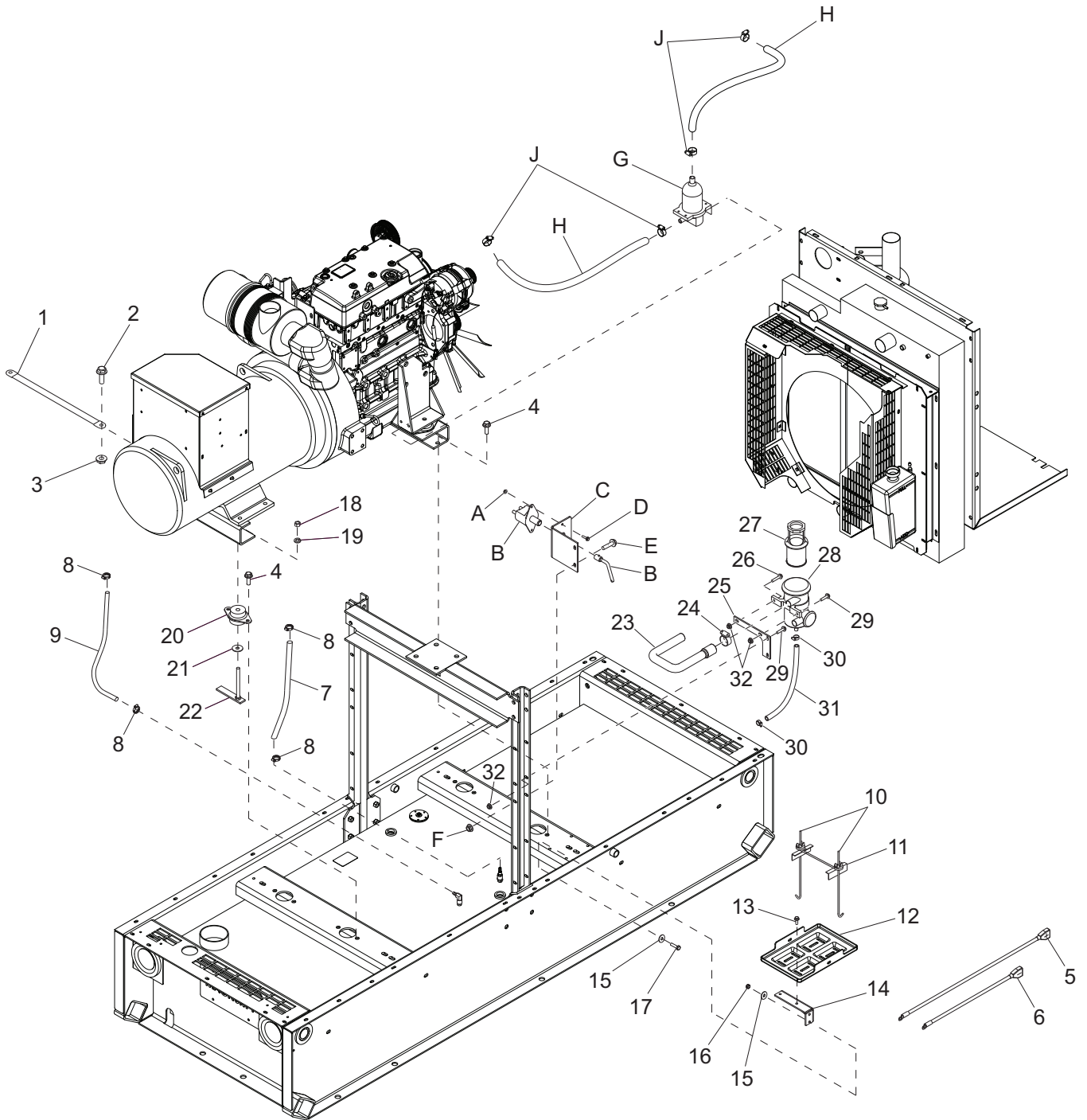


| ITEM | PART    | QTY | DESCRIPTION                               | NOTES                              |
|------|---------|-----|---|------------------------------------|
| 1    | 27739B  | 1   | Weldment, top lift structure              |                                    |
| 2    | 60202   | 4   | Screw, M12-1.75x35 sflg hex               |                                    |
| 3    | 60013   | 12  | Nut, M12-1.75 hex, class 10               |                                    |
| 4    | 60204   | 12  | Washer, .500 split lock                   |                                    |
| 5    | 60012   | 12  | Washer, M12 flat                          |                                    |
| 6    | 27660B  | 1   | Weldment, skid                            |                                    |
| 7    | 22924B  | 1   | Weldment, lift support                    |                                    |
| 8    | 60065   | 4   | Screw, M12-1.75x40 sflg hex               |                                    |
| 9    | Page 19 | 1   | Fuel tank assembly                        |                                    |
| 10   | 18394   | 2   | Plug, .500NPT x internal hex              |                                    |
| 11   | 66396   | 2   | Light, clearance, 2.0", amber             |                                    |
| 12   | 66394   | 5   | Grommet, sealed beam light                |                                    |
| 13   | 66397   | 2   | Light, clearance, 2.0", red               |                                    |
| 14   | 66395   | 1   | Light, utility, 2.0", clear               |                                    |
| 15   | 29673B  | 1   | Bracket, rear light, right side           |                                    |
| 16   | 10221   | 2   | Grommet, rear light, rubber 4.5"          |                                    |
| 17   | 10220   | 2   | Light, rear tail/turn, round              |                                    |
| 18   | 29494B  | 1   | Weldment, lift structure                  |                                    |
| 19   | 29674B  | 1   | Bracket, rear light, left side            |                                    |
| 20   | 60479   | 8   | Screw, .250-20x1.00 sflg hex              |                                    |
| 21   | 61089   | 8   | Nut, .250-20 U-clip                       |                                    |
| A    | 66702   | 2   | Light, clearance, 2.0" amber              | Option: LED                        |
| B    | 66703   | 2   | Light, clearance, 2.0" red                | Option: LED                        |
| C    | 66701   | 2   | Light, rear tail/turn, round              | Option: LED                        |
| D    | 66704   | 1   | Light, utility, 2.0" clear                | Option: LED                        |
| E    | 22570   | 1   | Fitting, str - .375FNPTx.500MNPT          | Option: oil drain (tandem trailer) |
| F    | 15396   | 1   | Fitting, 90° -.375MNPTx.375FNPT, brs      | Option: oil drain (tandem trailer) |
| G    | 19168   | 1   | Hose assy, radiator drain                 | Option: oil drain (tandem trailer) |
| H    | 19300   | 1   | Fitting, pipe, .375 hex cap               | Option: oil drain (tandem trailer) |
| J    | 19041   | 1   | Clip, spring holder                       | Option: oil drain (tandem trailer) |
| K    | 60231   | 1   | Rivet, .188 dia x .375 to .500 grip range | Option: oil drain (tandem trailer) |
| L    | 60237   | 1   | Washer, flat SAE #10                      | Option: oil drain (tandem trailer) |



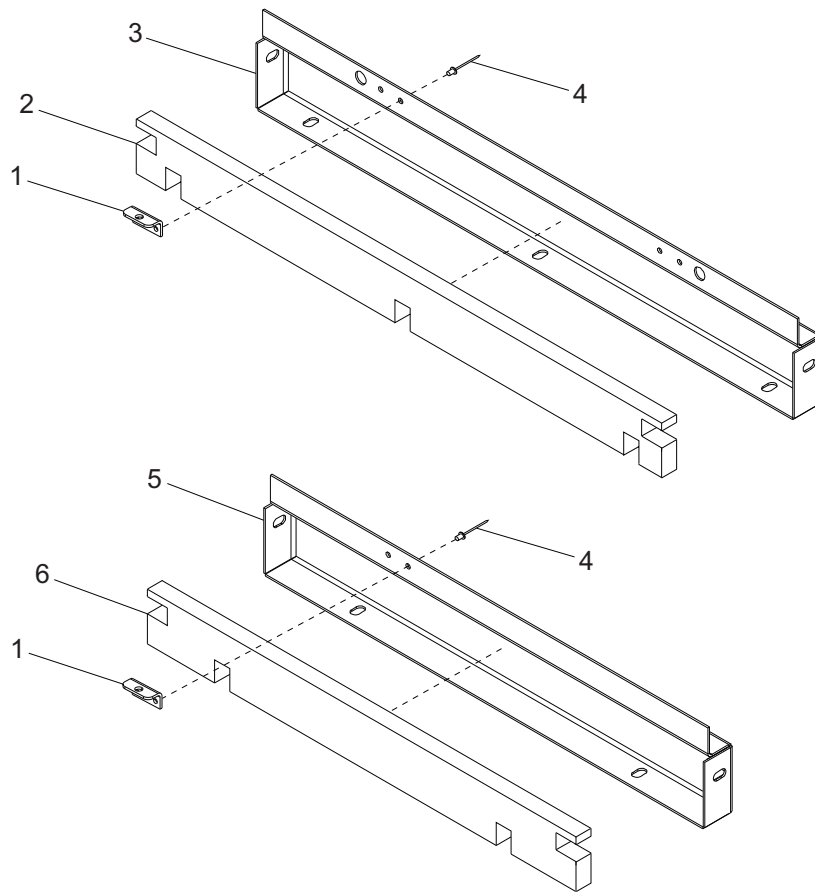
| ITEM | PART NO. | QTY     | DESCRIPTION                              | NOTES |
|------|----------|---------|--|-------|
| 1    | 27891B   | 1       | Panel, bulkhead                          |       |
| 2    | 19219    | 1       | Cap, radiator, 14.7 psi                  |       |
| 3    | 60660    | 12      | Clamp, hose - 1.75-2.625 constant torque |       |
| 4    | 41045    | 1       | Hose, radiator - upper                   |       |
| 5    | 65592    | 1       | Sensor, low coolant                      |       |
| 6    | 27675    | 1       | Radiator                                 |       |
| 7    | 60175    | 26      | Screw, .250-20x.50 sflg hex              |       |
| 8    | 60161    | 17      | Nut, .250-20 ser flg                     |       |
| 9    | 60119    | 12      | Washer, flat .312                        |       |
| 10   | 60271    | 18      | Washer, split lock .312                  |       |
| 11   | 60168    | 12      | Screw, .312-18x.750 std hex              |       |
| 12   | 14216    | 4       | Clamp, hose - miniature                  |       |
| 13   | 50018    | 1.66 ft | Hose - 50 psi                            |       |
| 14   | 19714    | 1       | Cap, overflow jug                        |       |
| 15   | 24952    | 1       | Jug, overflow, 2.5 qt.                   |       |
| 16   | 26211B   | 1       | Bracket, overflow jug                    |       |
| 17   | 60268    | 2       | Rivet, .188 dia x .126 to .25 grip, SS   |       |
| 18   | 27965B   | 1       | Guard, fan belt - top                    |       |
| 19   | 27958B   | 1       | Guard, fan belt - right                  |       |
| 20   | 27959B   | 1       | Guard, fan belt - left                   |       |
| 21   | 27943B   | 1       | Panel, fan shroud - right                |       |
| 22   | 27941B   | 1       | Panel, fan shroud - left                 |       |
| 23   | 15424    | 9       | Nut, .250-20 cage                        |       |
| 24   | 27767B   | 2       | Radiator shroud                          |       |
| 25   | 19280    | 1       | Valve, ball .375NPTF                     |       |
| 26   | 19180    | 1       | Fitting, strt - .375MNPTx.312 barb       |       |
| 27   | 50018    | .850 ft | Hose, 50 psi                             |       |
| 28   | 60999    | 1       | Fitting, strt - .50MNPTx.312 barb, brass |       |
| 29   | 27889    | 1       | Hose, lower radiator                     |       |
| 30   | 28540    | 2       | Hose, CAC - 2.00 x 4.00" long            |       |
| 31   | 27777    | 1       | Pipe, CAC - lower                        |       |
| 32   | 27775    | 1       | Hose, CAC - 2.00 x 90°                   |       |
| 33   | 27776    | 1       | Pipe, CAC - upper                        |       |
| 34   | 27993    | 1       | Hose, CAC - 1.75-2.00x4.00" long         |       |
| 35   | 60507    | 6       | Screw, .312-18x1.000 std hex, SS         |       |
| 36   | 60340    | 12      | Washer, .312 flat, SS                    |       |
| 37   | 60285    | 6       | Nut, .312-18 hex                         |       |

# ENGINE TO SKID ASSEMBLY



| ITEM | PART   | QTY    | DESCRIPTION                            | NOTES                      |
|------|--------|--------|--|----------------------------|
| 1    | 19042  | 1      | Strap, braided ground - 10"            |                            |
| 2    | 60018  | 3      | Screw, M10-1.25x20 sflg hex            |                            |
| 3    | 60064  | 3      | Nut, M10-1.50 sflg lock                |                            |
| 4    | 60018  | 6      | Screw, M10-1.25x20 sflg hex            |                            |
| 5    | 24777  | 1      | Cable, red battery 54"                 |                            |
| 6    | 24778  | 1      | Cable, black battery 15"               |                            |
| 7    | 50018  | 2.8 ft | Hose, fuel - .312 ID, 50 psi, SAE 30R7 |                            |
| 8    | 14216  | 4      | Clamp, hose SAE 04 (.21-.62) mini      |                            |
| 9    | 50018  | 2 ft   | Hose, fuel - .312 ID, 50 psi, SAE 30R7 |                            |
| 10   | 60820  | 2      | Bolt, J - .250-20x9.00                 |                            |
| 11   | 14682  | 1      | Bracket, battery hold down             |                            |
| 12   | 14145  | 1      | Battery tray                           |                            |
| 13   | 60353  | 4      | Screw, .375-16x1.000 flg hex           |                            |
| 14   | 27970B | 1      | Bracket, battery support               |                            |
| 15   | 60452  | 4      | Washer, .313 flat, SS                  |                            |
| 16   | 60303  | 2      | Nut, .312-18 nylock                    |                            |
| 17   | 60507  | 2      | Screw, .312-18x1.000 std hex, SS       |                            |
| 18   | 60307  | 2      | Nut, .500-13 nylock                    |                            |
| 19   | 60416  | 2      | Washer, .500 flat 1.375/.090           |                            |
| 20   | 22788  | 2      | Mount, rubber shock 350 lbs            |                            |
| 21   | 18085  | 2      | Washer, .510 snub 2.000/.130           |                            |
| 22   | 27034  | 2      | Weldment, anti-turn bolt 1/2"x3.5"     |                            |
| 23   | 24170  | 1      | Hose, oil recirculation vent           |                            |
| 24   | 19453  | 1      | Clamp, hose - SAE 006 (.37-.87)        |                            |
| 25   | 29698B | 1      | Bracket, oil recirculation             |                            |
| 26   | 60516  | 1      | Screw, .312-18x1.25 sflg hex           |                            |
| 27   | 24552  | 1      | Filter, oil recirculation              |                            |
| 28   | 24318  | 1      | Kit, oil recirculation                 |                            |
| 29   | 61091  | 3      | Screw, .312-18x1.0 sflg hex            |                            |
| 30   | 19338  | 2      | Clamp, hose - SAE 016 (.68-1.50)       |                            |
| 31   | 24171  | 1      | Hose, oil recirculation drain          |                            |
| 32   | 60095  | 4      | Nut, .312-18 sflg                      |                            |
| A    | 60036  | 2      | Nut, M6-1.0 sflg lock                  | Option: battery disconnect |
| B    | 21489  | 1      | Battery disconnect switch - 500A cont. | Option: battery disconnect |
| C    | 23178B | 1      | Bracket, battery disconnect            | Option: battery disconnect |
| D    | 60135  | 2      | Screw, M6-1.0x16 sflg hex              | Option: battery disconnect |
| E    | 60009  | 2      | Screw, M8-1.25x25 sflg hex             | Option: battery disconnect |
| F    | 60020  | 2      | Nut, M8-1.25 sflg lock                 | Option: battery disconnect |
| G    | 25914  | 1      | Coolant heater - 120V/500W             | Option: coolant heater     |
| H    | 50201  | 6.2 ft | Hose, coolant - .625 ID                | Option: coolant heater     |
| J    | 60365  | 4      | Clamp, hose - SAE 010 (.56-1.06)       | Option: coolant heater     |

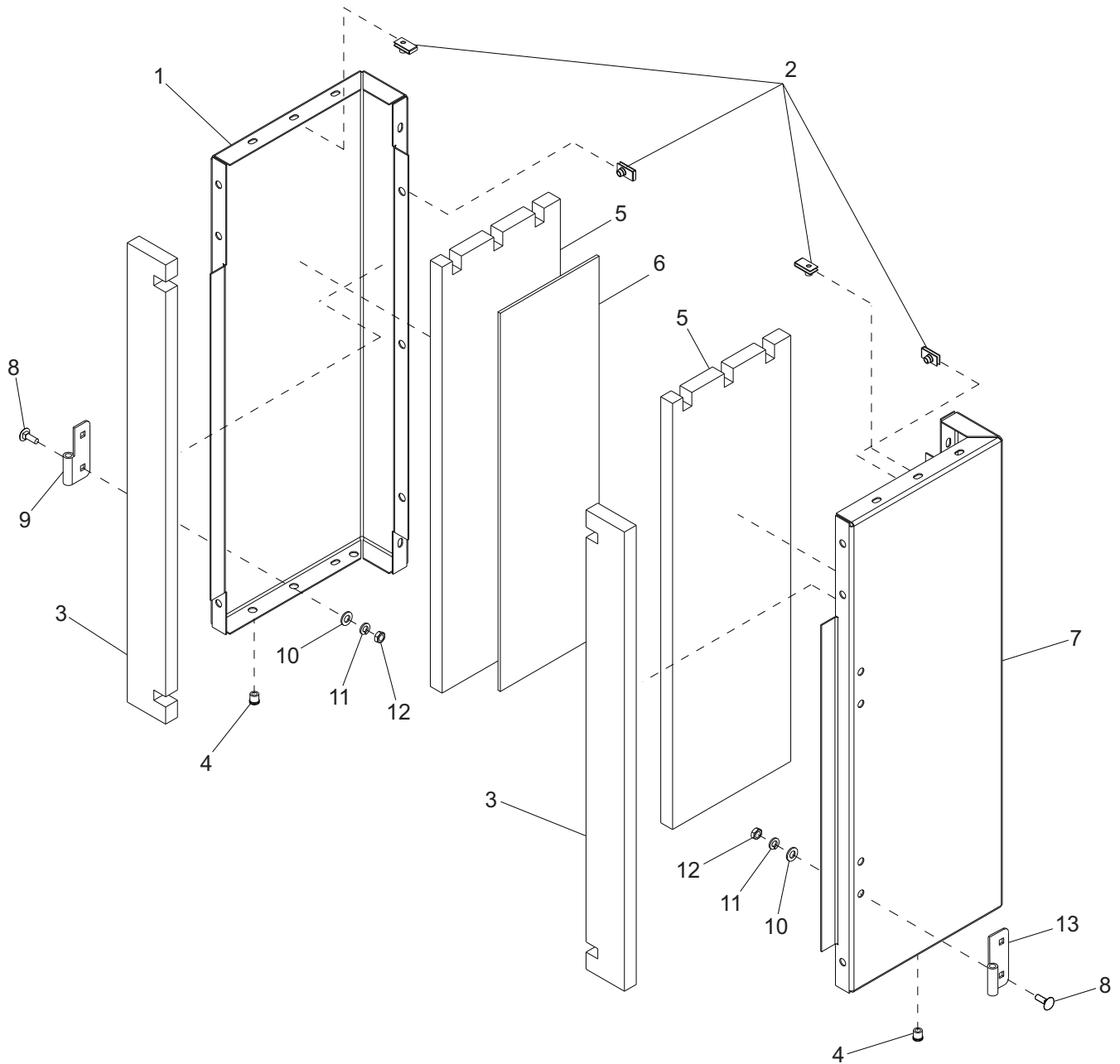
## SMALL SIDE & END PANEL ASSEMBLIES



| ITEM | PART   | QTY | DESCRIPTION                             | NOTES |
|------|--------|-----|---|-------|
| 1    | 20916Z | 3   | Bracket, prop rod                       |       |
| 2    | 20930  | 6   | Foam, small panel                       |       |
| 3    | 20888W | 6   | Panel, small (ALU)                      |       |
| 4    | 60268  | 6   | Rivet, .188 dia x .126 to .250 grip, SS |       |
| 5    | 20898W | 1   | Panel, small (left rear) (ALU)          |       |
| 6    | 20931  | 1   | Foam, small panel                       |       |



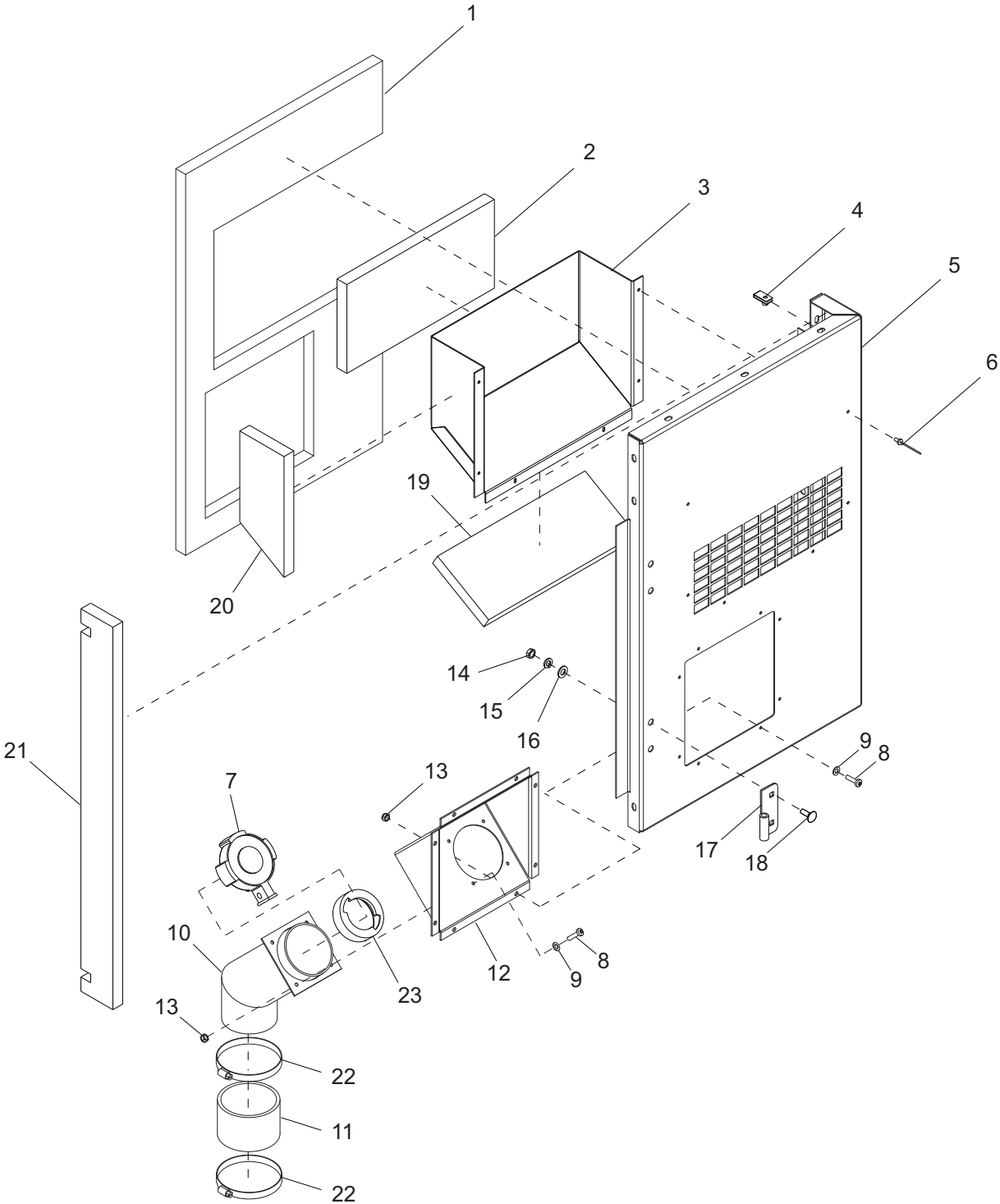
# FRONT CORNER ASSEMBLY



| ITEM | PART   | QTY | DESCRIPTION                      |
|------|--------|-----|----------------------------------|
| 1    | 22782W | 1   | Panel, left front corner         |
| 2    | 60505  | 12  | Nut, U-clip .312-18              |
| 3    | 20932  | 2   | Foam, corner common              |
| 4    | 60022  | 8   | Insert, M8 threaded              |
| 5    | 22827  | 2   | Foam, left front corner          |
| 6    | 27988  | 1   | Insulation, ceramic              |
| 7    | 22781W | 1   | Panel, right front corner        |
| 8    | 61066  | 8   | Screw, .312-18x1.00 carr sqr, SS |
| 9    | 18462  | 2   | Hinge, upper left (female)       |
| 10   | 60243  | 8   | Washer, .25 flat                 |
| 11   | 60271  | 8   | Washer, .312 split lock          |
| 12   | 60285  | 8   | Nut, .312-18 hex                 |
| 13   | 18460  | 2   | Hinge, upper right (female)      |

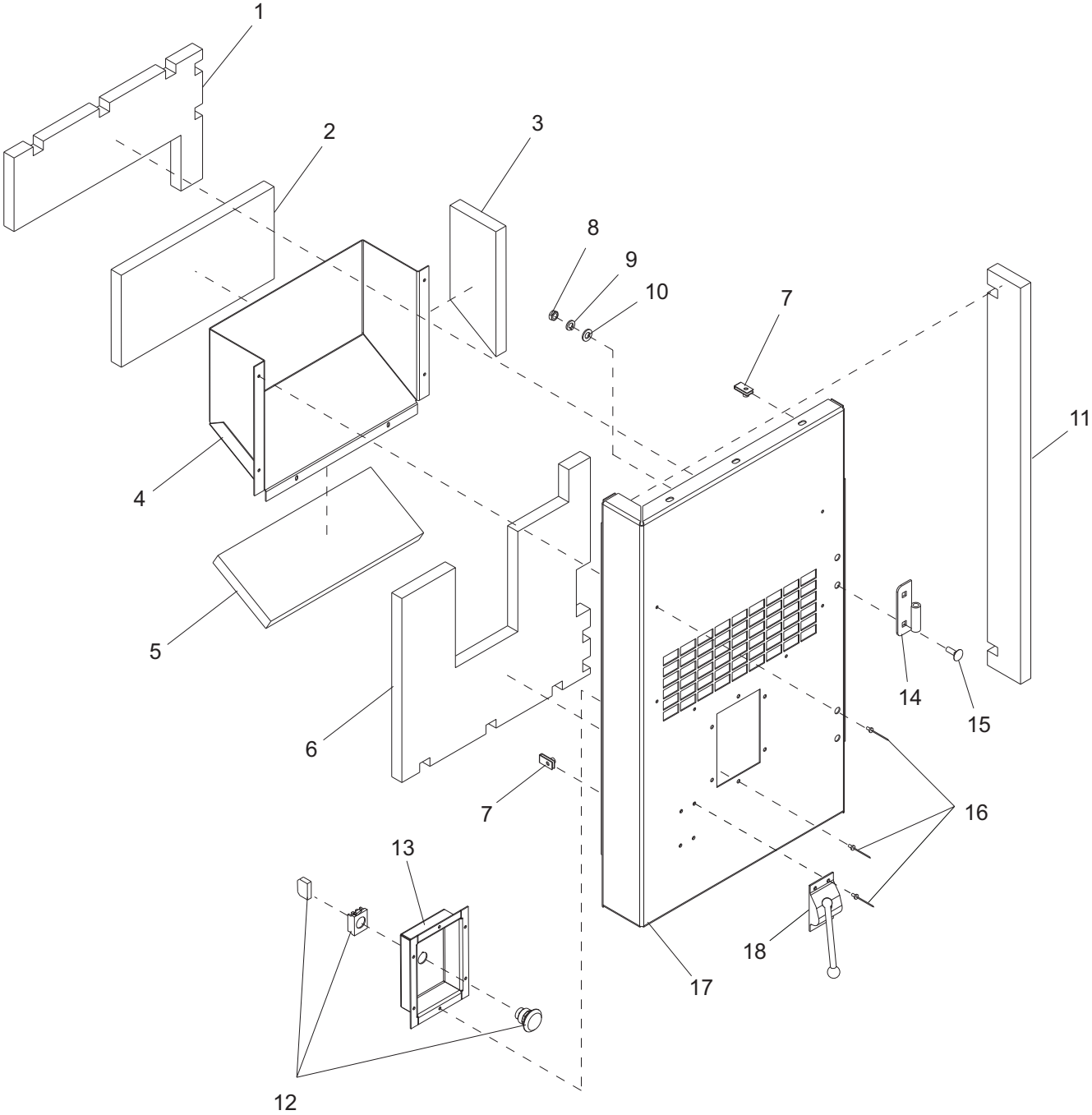
## NOTES

# LEFT REAR CORNER ASSEMBLY



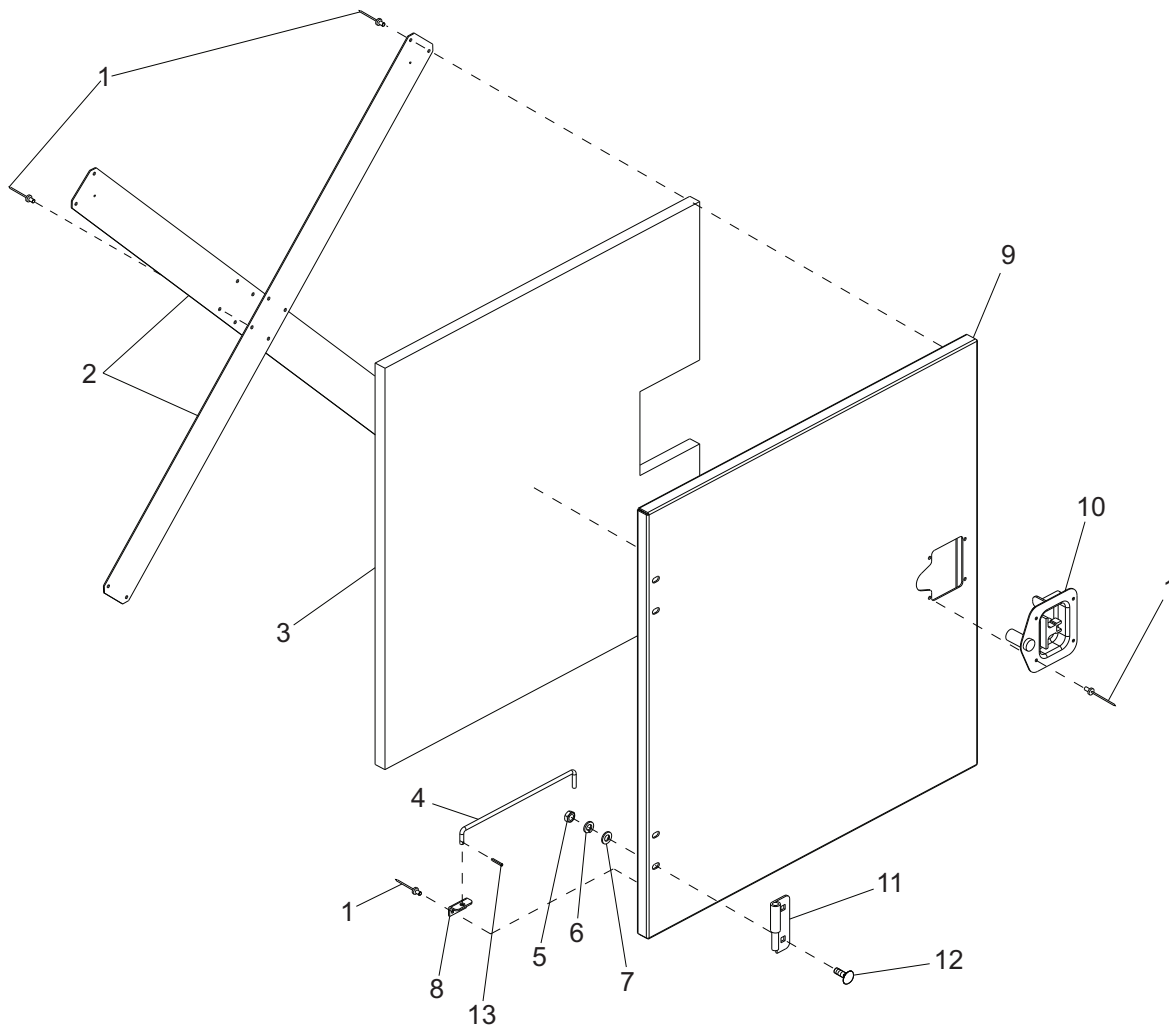
| ITEM | PART   | QTY | DESCRIPTION                             | NOTES |
|------|--------|-----|---|-------|
| 1    | 27744  | 1   | Foam, rear right corner                 |       |
| 2    | 22843  | 1   | Foam, side air duct                     |       |
| 3    | 22786W | 1   | Duct, side air                          |       |
| 4    | 60505  | 3   | Nut, U-clip .312-18                     |       |
| 5    | 27742W | 1   | Panel, left rear corner                 |       |
| 6    | 60268  | 6   | Rivet, .188 dia x .126 to .250 grip, SS |       |
| 7    | 23707  | 1   | Cap, fuel fill - 3.50                   |       |
| 8    | 60850  | 12  | Screw, 10-24x.750 pan phil              |       |
| 9    | 60067  | 12  | Washer, #10 flat, SS                    |       |
| 10   | 23710B | 1   | Weldment, 3.50 fuel fill neck           |       |
| 11   | 19612  | 1   | Hose, air/fuel 4.00"                    |       |
| 12   | 23697B | 1   | Panel, fuel inlet                       |       |
| 13   | 60457  | 12  | Nut, 10-24 nylock                       |       |
| 14   | 60285  | 4   | Nut, .312-18 hex                        |       |
| 15   | 60271  | 4   | Washer, .312 split lock                 |       |
| 16   | 60243  | 4   | Washer, .250 flat                       |       |
| 17   | 18460  | 2   | Hinge, upper right (female)             |       |
| 18   | 61066  | 4   | Screw, .312-18x1.00 carr sqr, SS        |       |
| 19   | 22844  | 1   | Foam, side air duct - lower             |       |
| 20   | 22841  | 1   | Foam, side air duct - right             |       |
| 21   | 20932  | 1   | Foam, corner common                     |       |
| 22   | 19842  | 2   | Clamp, hose - SAE 072 (4.06-5.00)       |       |
| 23   | 23830  | 1   | Insert, plastic fuel 3.5"               |       |

# RIGHT REAR CORNER ASSEMBLY



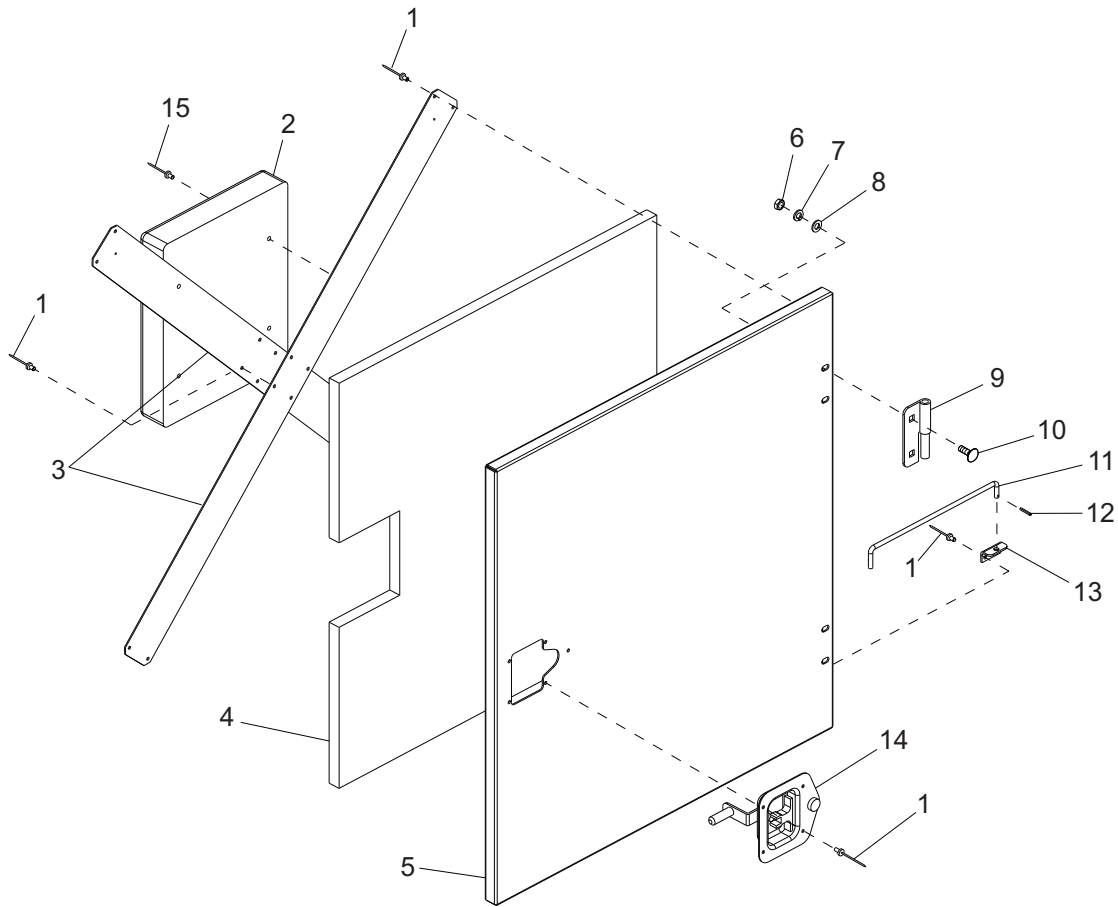
| ITEM | PART   | QTY | DESCRIPTION                            | NOTES |
|------|--------|-----|--|-------|
| 1    | 22839  | 1   | Foam, rear right upper corner          |       |
| 2    | 22843  | 1   | Foam, side air duct - face             |       |
| 3    | 22842  | 1   | Foam, side air duct - left             |       |
| 4    | 22786W | 1   | Duct, side air                         |       |
| 5    | 22844  | 1   | Foam, side air duct - lower            |       |
| 6    | 22840  | 1   | Foam, rear right lower corner          |       |
| 7    | 60505  | 6   | Nut, U-clip - .312-18                  |       |
| 8    | 60285  | 4   | Nut, .312-18 hex                       |       |
| 9    | 60271  | 4   | Washer, .312 split lock                |       |
| 10   | 60243  | 4   | Washer, .250 flat                      |       |
| 11   | 20932  | 1   | Foam, corner common                    |       |
| 12   | 22550  | 1   | Switch, emergency stop                 |       |
| 13   | 22816B | 1   | Panel, emergency stop                  |       |
| 14   | 18462  | 2   | Hinge, upper left (female)             |       |
| 15   | 61066  | 4   | Screw, .312-18x1.000 carr sqr, SS      |       |
| 16   | 60268  | 16  | Rivet, .188 dia.x.126 to .250 grip, SS |       |
| 17   | 22783W | 1   | Panel, right rear corner               |       |
| 18   | 27703  | 1   | Latch, door prop rod set - plastic     |       |

# LEFT FRONT DOOR ASSEMBLY



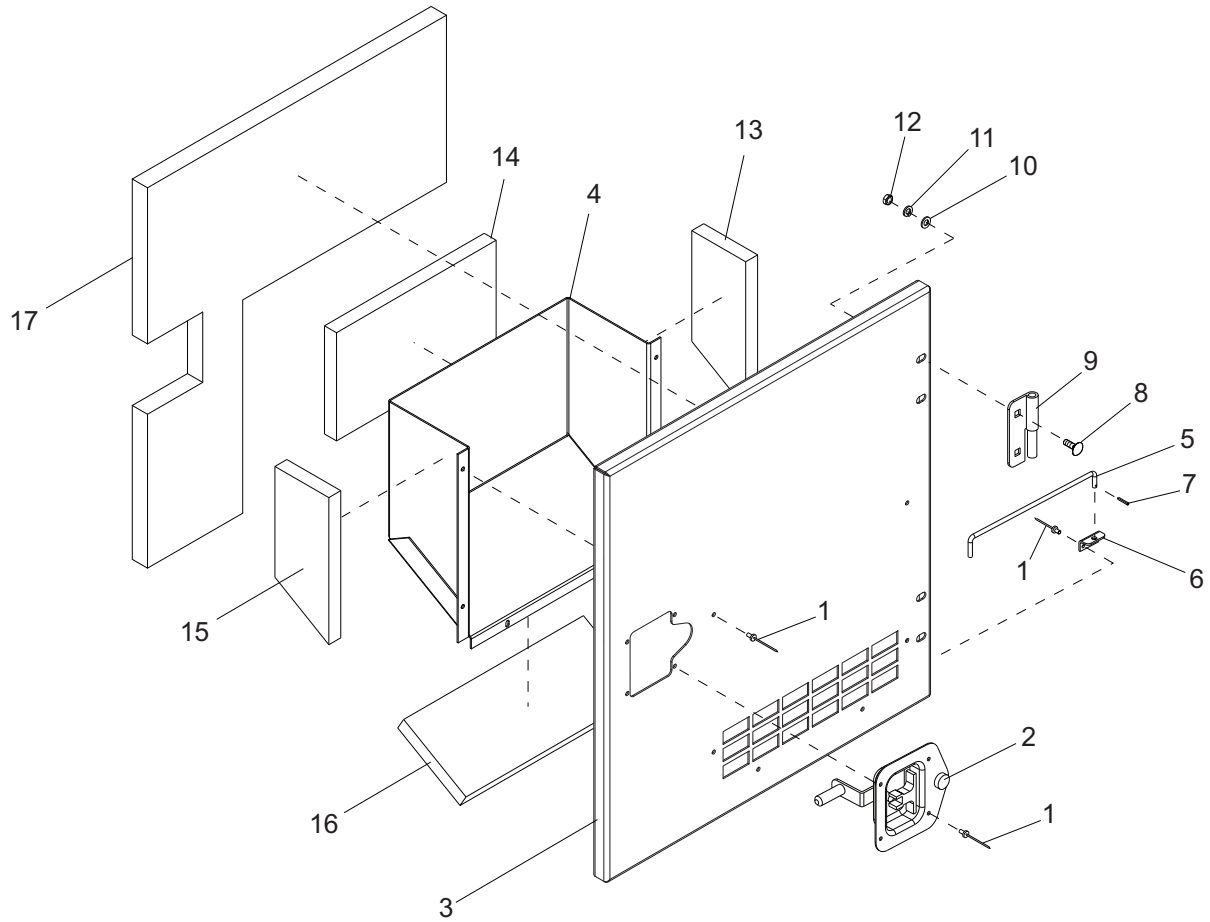
| ITEM | PART    | QTY | DESCRIPTION                            | NOTES |
|------|---------|-----|--|-------|
| 1    | 60268   | 18  | Rivet, .188 dia.x.126 to .250 grip, SS |       |
| 2    | 20952B  | 2   | Brace, door small                      |       |
| 3    | 20969   | 1   | Foam, door front small                 |       |
| 4    | 18900ZC | 1   | Rod, door prop                         |       |
| 5    | 60285   | 4   | Nut, .312-18 hex                       |       |
| 6    | 60271   | 4   | Washer, .312 split lock                |       |
| 7    | 60243   | 4   | Washer, .25 flat                       |       |
| 8    | 20916Z  | 1   | Bracket, prop rod                      |       |
| 9    | 20907W  | 1   | Panel, front - small                   |       |
| 10   | 22497   | 1   | Latch, T-handle - lft cw lock          |       |
| 11   | 18459   | 2   | Hinge, lower left (male)               |       |
| 12   | 61066   | 4   | Screw, .312-18x1.00 carr sqr, SS       |       |
| 13   | 60048   | 1   | Roll pin, .125x.625                    |       |

# RIGHT FRONT DOOR ASSEMBLY



| ITEM | PART    | QTY | DESCRIPTION                            | NOTES |
|------|---------|-----|--|-------|
| 1    | 60268   | 18  | Rivet, .188 dia.x.126 to .250 grip, SS |       |
| 2    | 24540   | 1   | Holder, manual (plastic)               |       |
| 3    | 20952B  | 2   | Brace, door small                      |       |
| 4    | 20969   | 1   | Foam, door front - small               |       |
| 5    | 21033W  | 1   | Panel, door front right                |       |
| 6    | 60285   | 4   | Nut, .312-18 hex                       |       |
| 7    | 60271   | 4   | Washer, .312 split lock                |       |
| 8    | 60243   | 4   | Washer, .250 flat                      |       |
| 9    | 18461   | 2   | Hinge, right (male)                    |       |
| 10   | 61066   | 4   | Screw, .312-18x1.000 carr sqr, SS      |       |
| 11   | 18900ZC | 1   | Rod, door prop                         |       |
| 12   | 60048   | 1   | Roll pin, .125x.625                    |       |
| 13   | 20916Z  | 1   | Bracket, prop rod                      |       |
| 14   | 22498   | 1   | Latch, T-handle - rht ccw lock         |       |
| 15   | 60231   | 4   | Rivet, .188 dia.x.375 to .500 grip     |       |

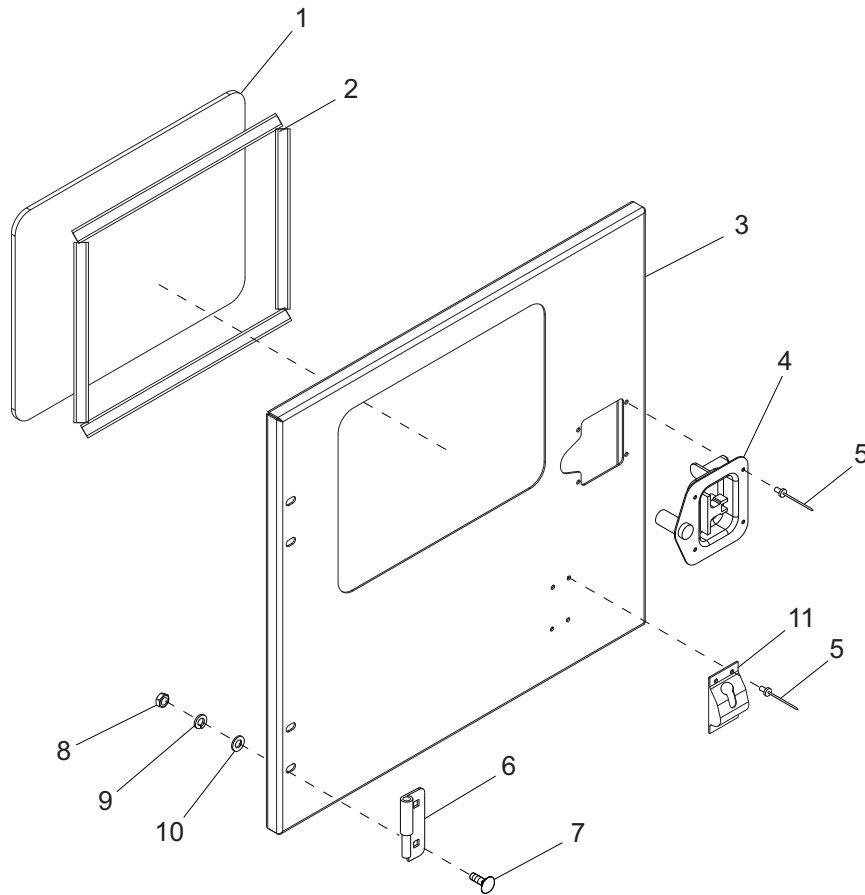
# LEFT REAR DOOR ASSEMBLY



| ITEM | PART    | QTY | DESCRIPTION                            | NOTES |
|------|---------|-----|--|-------|
| 1    | 60268   | 12  | Rivet, .188 dia.x.126 to .250 grip, SS |       |
| 2    | 22498   | 1   | Latch, T-handle - rht ccw lock         |       |
| 3    | 22819W  | 1   | Door, rear left                        |       |
| 4    | 22823W  | 1   | Duct, rear left door                   |       |
| 5    | 18900ZC | 1   | Rod, door prop                         |       |
| 6    | 20916Z  | 1   | Bracket, prop rod                      |       |
| 7    | 60048   | 1   | Roll pin, .125x.625                    |       |
| 8    | 61066   | 4   | Screw, .312-18x1.00 carr sqr, SS       |       |
| 9    | 18461   | 2   | Hinge, lower right (male)              |       |
| 10   | 60243   | 4   | Washer, .25 flat                       |       |
| 11   | 60271   | 4   | Washer, .312 split lock                |       |
| 12   | 60285   | 4   | Nut, .312-18 hex                       |       |
| 13   | 22842   | 1   | Foam, side air duct - left             |       |
| 14   | 22845   | 1   | Foam, door duct - face                 |       |
| 15   | 22841   | 1   | Foam, side air duct - right            |       |
| 16   | 22846   | 1   | Foam, door duct - lower                |       |
| 17   | 22831   | 1   | Foam, rear left door                   |       |

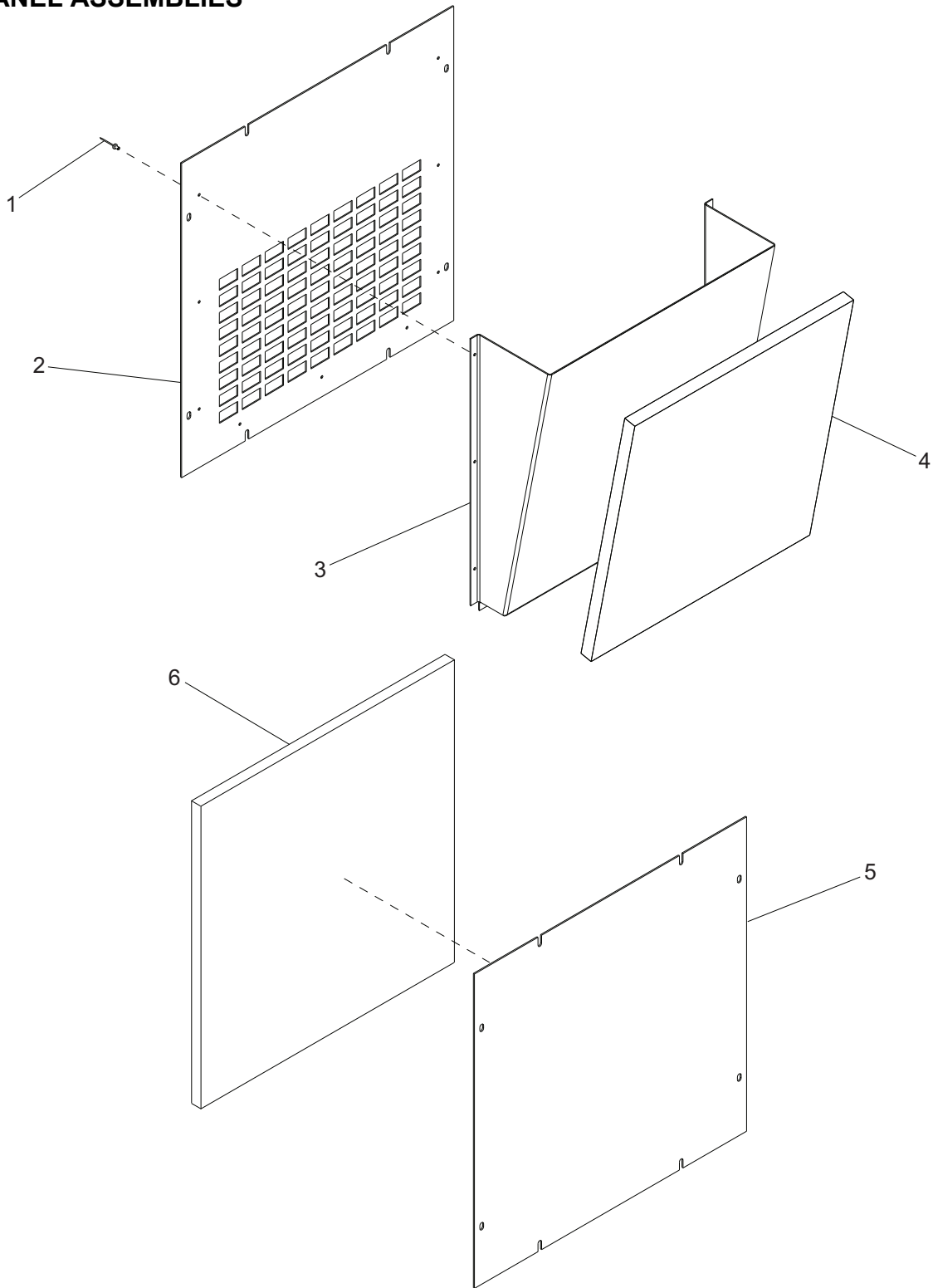


# CONTROL DOOR ASSEMBLY



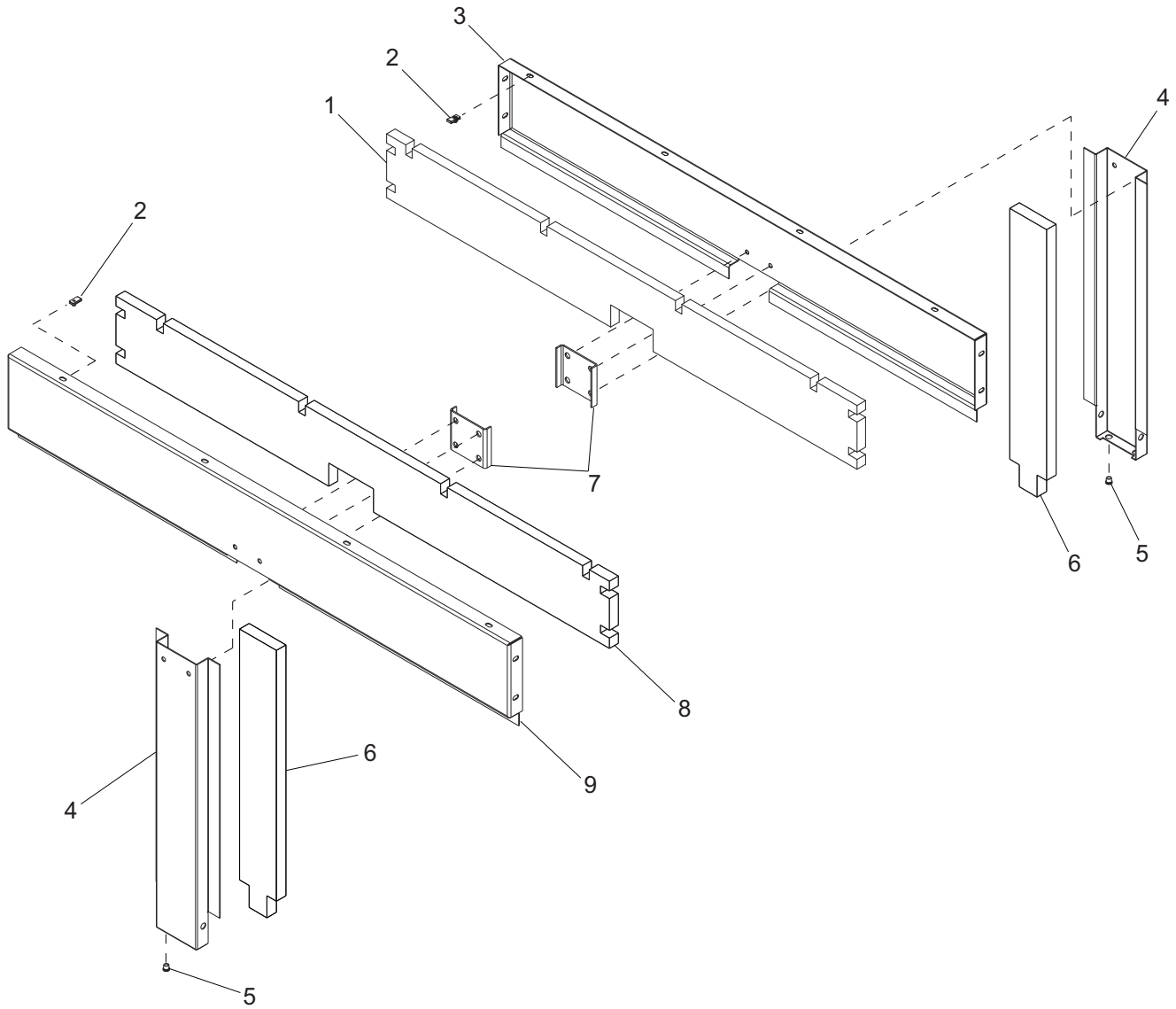
| ITEM | PART   | QTY     | DESCRIPTION                            | NOTES |
|------|--------|---------|--|-------|
| 1    | 21477  | 1       | Window, control door                   |       |
| 2    | 50192  | 4.58 ft | Tape, .500" double-sided, VHB          |       |
| 3    | 27830W | 1       | Door, control                          |       |
| 4    | 27987  | 1       | Latch, T-handle - lft cw lock          |       |
| 5    | 60268  | 10      | Rivet, .188 dia.x.126 to .250 grip, SS |       |
| 6    | 18459  | 2       | Hinge , lower left (male)              |       |
| 7    | 61066  | 4       | Screw, .312-18x1.00 carr sqr, SS       |       |
| 8    | 60285  | 4       | Nut, .312-18 hex                       |       |
| 9    | 60271  | 4       | Washer, .312 split lock                |       |
| 10   | 60243  | 4       | Washer, .25 flat                       |       |
| 11   | 27703  | 1       | Latch, door prop rod                   |       |

# END PANEL ASSEMBLIES



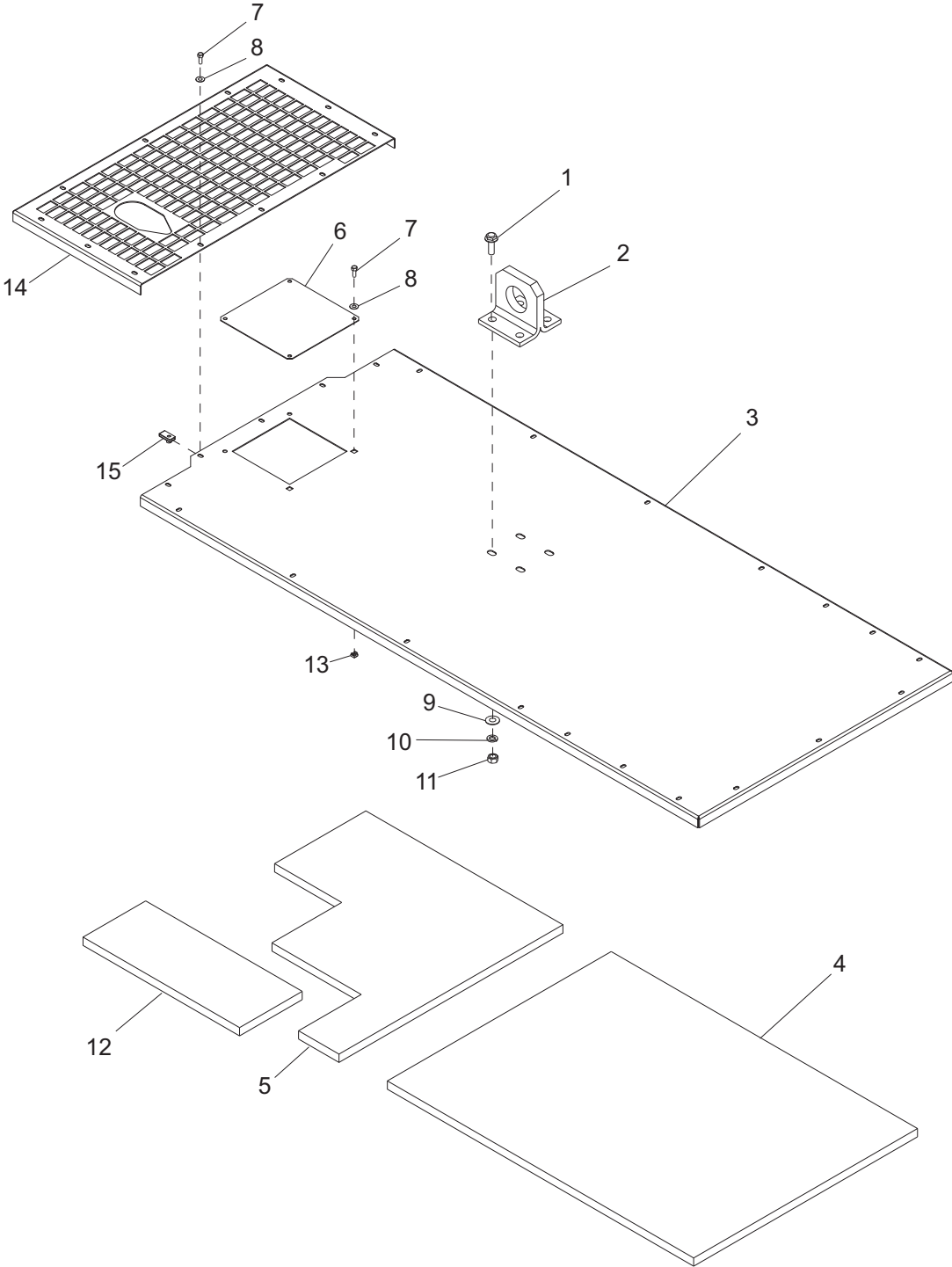
| ITEM | PART   | QTY | DESCRIPTION                            | NOTES |
|------|--------|-----|--|-------|
| 1    | 60268  | 9   | Rivet, .188 dia.x.126 to .250 grip, SS |       |
| 2    | 20877W | 1   | Panel, rear                            |       |
| 3    | 22730W | 1   | Duct, rear                             |       |
| 4    | 20933  | 1   | Foam, rear duct                        |       |
| 5    | 20875W | 1   | Panel, front                           |       |
| 6    | 20936  | 1   | Foam, front panel                      |       |

# SIDE PANEL ASSEMBLIES



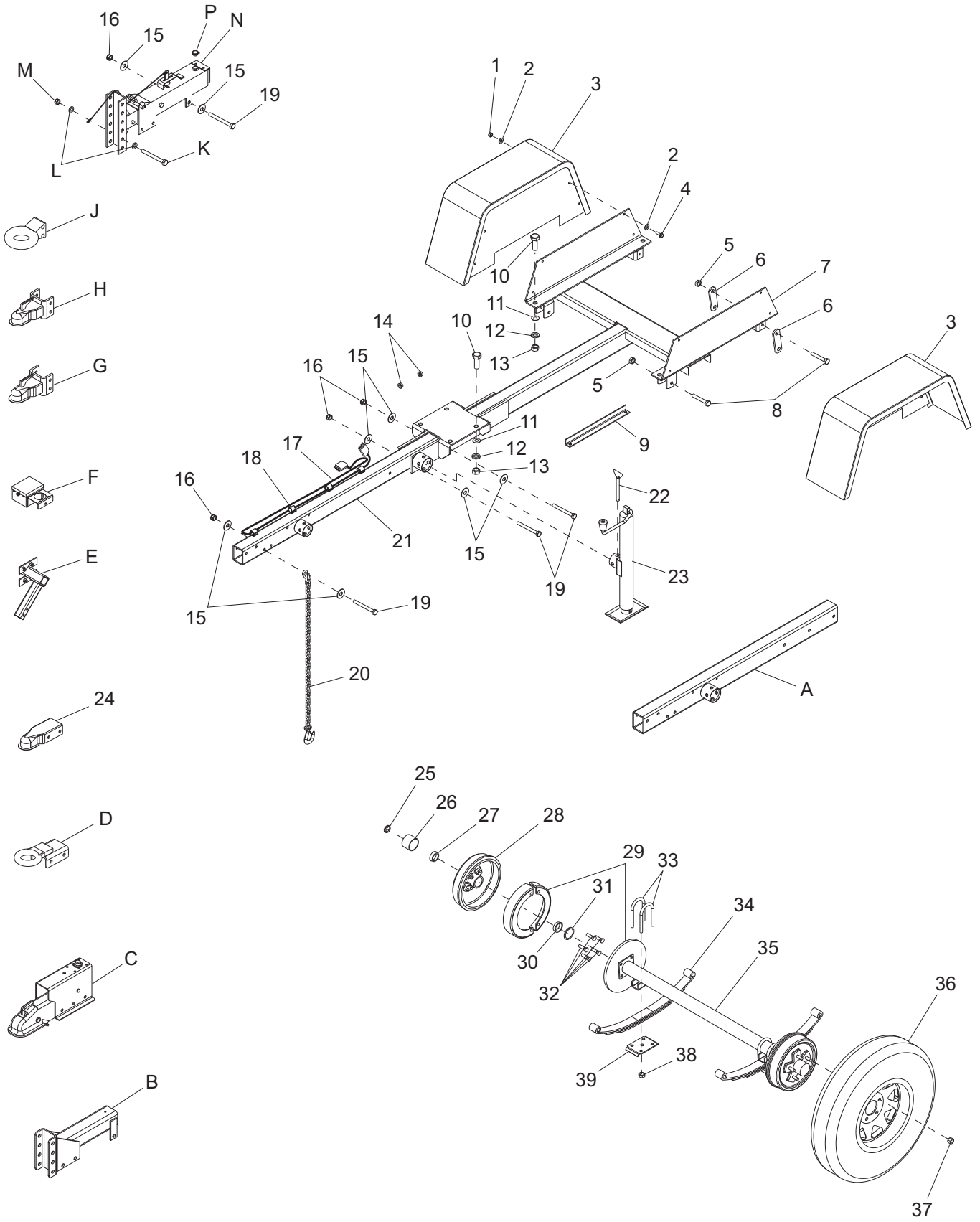
| ITEM | PART   | QTY | DESCRIPTION             | NOTES |
|------|--------|-----|-------------------------|-------|
| 1    | 20925  | 1   | Foam, top side right    |       |
| 2    | 60505  | 8   | Nut, U-clip .312-18     |       |
| 3    | 20890W | 1   | Panel, top side right   |       |
| 4    | 20896W | 2   | Panel, center side      |       |
| 5    | 60022  | 4   | Insert, M8 threaded     |       |
| 6    | 20929  | 2   | Foam, center side       |       |
| 7    | 20906W | 2   | Bracket, side stiffener |       |
| 8    | 20926  | 1   | Foam, top side left     |       |
| 9    | 20891W | 1   | Panel, top side left    |       |

**ROOF ASSEMBLY**



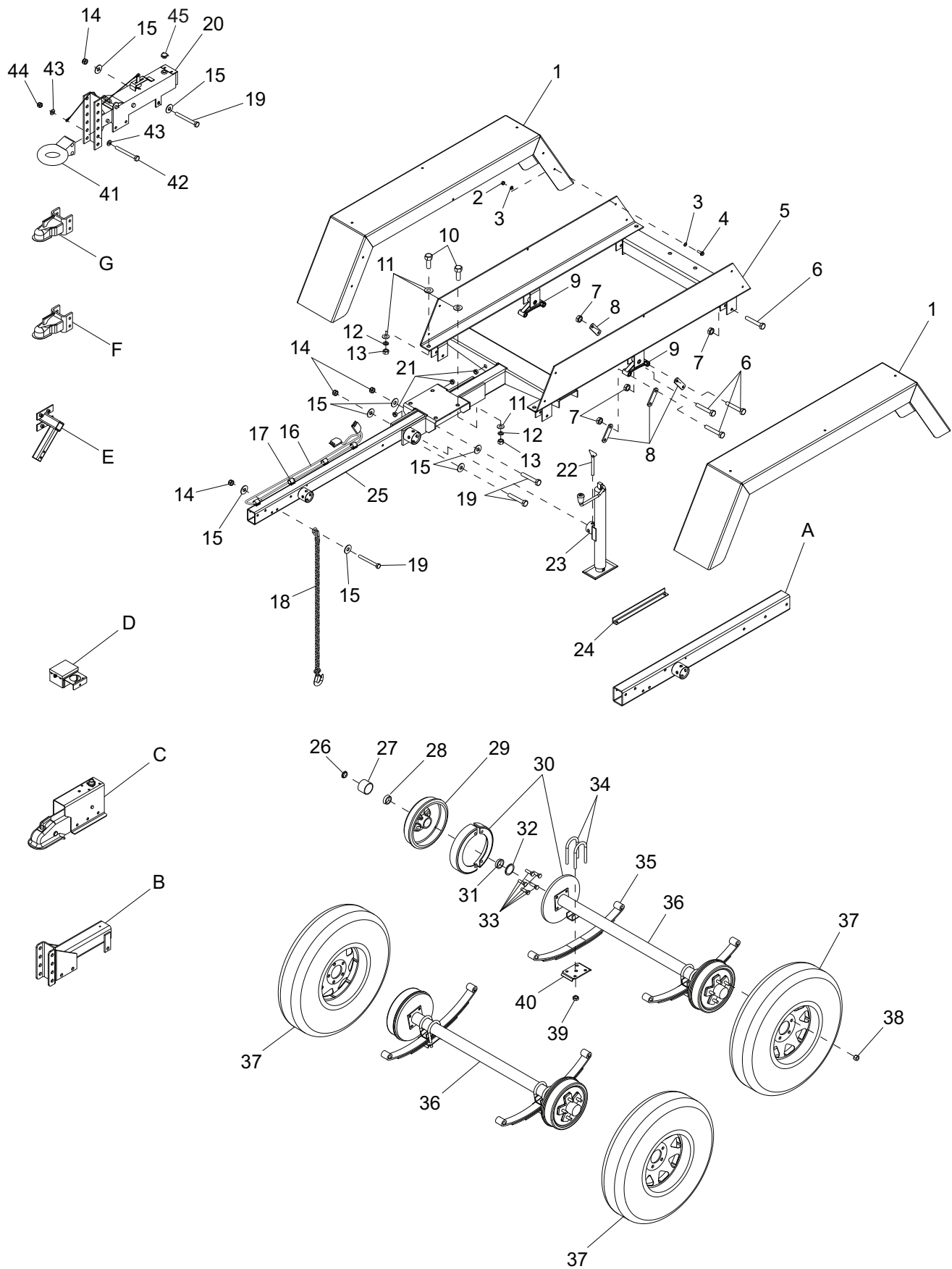
| ITEM | PART   | QTY | DESCRIPTION                      | NOTES |
|------|--------|-----|----------------------------------|-------|
| 1    | 60065  | 4   | Screw, M12-1.75x40 sflg hex      |       |
| 2    | 22936B | 1   | Bracket, lifting eye             |       |
| 3    | 27745W | 1   | Panel , roof                     |       |
| 4    | 29570  | 1   | Foam, rear roof                  |       |
| 5    | 29571  | 1   | Foam, front roof                 |       |
| 6    | 25053W | 1   | Panel, back access               |       |
| 7    | 60507  | 4   | Screw, .312-18x1.000 std hex, SS |       |
| 8    | 60452  | 4   | Washer, flat .313x1.125, SS      |       |
| 9    | 60012  | 4   | Washer, M12 flat                 |       |
| 10   | 60204  | 4   | Washer, .500 split lock          |       |
| 11   | 60013  | 4   | Nut, M12-1.75 hex, class 10      |       |
| 12   | 23361  | 1   | Insulation, ceramic roof         |       |
| 13   | 15425  | 2   | Nut, .312-18 cage                |       |
| 14   | 27746B | 1   | Panel, roof insert               |       |
| 15   | 60505  | 24  | Nut, U-clip .312-18              |       |

# TRAILER ASSEMBLY - SINGLE AXLE



| ITEM | PART   | QTY | DESCRIPTION                           | NOTES                             |
|------|--------|-----|---------------------------------------|-----------------------------------|
| 1    | 60140  | 8   | Nut, .375-16 hex hd                   |                                   |
| 2    | 60386  | 16  | Washer, flat .375                     |                                   |
| 3    | 22743B | 2   | Fender, single wheel                  |                                   |
| 4    | 60179  | 8   | Screw .375-16x.750 hex hd             |                                   |
| 5    | 60504  | 6   | Nut, .562-18 hex                      |                                   |
| 6    | 19637  | 4   | Plate, shackle bracket                |                                   |
| 7    | 24811B | 1   | Weldment, trailer chassis             |                                   |
| 8    | 60503  | 6   | Screw, shackle .562-18x3.0 std hex    |                                   |
| 9    | 24691B | 1   | Brace, tongue shipping                |                                   |
| 10   | 60383  | 6   | Screw, .750-10x1.50 std hex           |                                   |
| 11   | 60247  | 6   | Washer, flat .750                     |                                   |
| 12   | 60248  | 6   | Washer, split lock .750               |                                   |
| 13   | 15293  | 6   | Nut, .750-10 hex                      |                                   |
| 14   | 22340  | 2   | Bushing, 1.00 ODx.75 ID               |                                   |
| 15   | 60309  | 14  | Washer, flat .500                     |                                   |
| 16   | 60307  | 7   | Nut, .500-13 nylock                   |                                   |
| 17   | 23205  | 1   | Harness, trailer                      |                                   |
| 18   | 61010  | 7   | Clamp, tubing - .375 heavy duty       |                                   |
| 19   | 60659  | 7   | Screw, .5-13x5.0 std hex              |                                   |
| 20   | 23367  | 2   | Chain, safety - 7,800 lb rated        |                                   |
| 21   | 24812B | 1   | Weldment, flip tongue                 | Non-adjustable actuator/hitch     |
| 22   | 23256  | 1   | Pin, jack - tube mounted              |                                   |
| 23   | 23254  | 1   | Jack, top wind - 2000 lb tube-mounted |                                   |
| 24   | 15103  | 1   | Coupler, 2" ball/3" channel           | Non-adjustable                    |
| 25   | 11254  | 2   | Plug, grease cap - for zerk           |                                   |
| 26   | 23170  | 2   | Cap, grease - 5000 lb                 |                                   |
| 27   | 24831  | 2   | Roller bearing - outer                |                                   |
| 28   | 26452  | 2   | Brake drum assy - 12" 6 on 5.5"       |                                   |
| 29   | 26572  | 2   | Surge brake assy, RH                  |                                   |
|      | 26571  | 2   | Surge brake assy, LH                  |                                   |
|      | 26574  | 2   | Electric brake assy, RH               | Option                            |
|      | 26573  | 2   | Electric brake assy, LH               | Option                            |
| 30   | 24830  | 2   | Roller bearing - inner                |                                   |
| 31   | 24832  | 2   | Bearing seal - axle, 5,000 lb         |                                   |
| 32   | 60963  | 12  | Stud, wheel - axle                    |                                   |
| 33   | 40875  | 4   | U-bolt, axle                          |                                   |
| 34   | 23912  | 2   | Spring, axle 5000 lb                  |                                   |
| 35   | 22877  | 1   | Axle, 5000#, hydraulic                |                                   |
|      | 22876  | 1   | Axle, 5000#, electric                 | Option                            |
| 36   | 18377  | 2   | Wheel, ST225/75R15                    |                                   |
| 37   | 60096  | 12  | Nut, .500-20 wheel lug                |                                   |
| 38   | 26441  | 8   | U-bolt nut, 1/2-20 plated             |                                   |
| 39   | 40874  | 2   | Tie plate, axle                       |                                   |
| 40   | 30248  | 1   | Cap, actuator, sealed                 |                                   |
| A    | 24824B | 1   | Weldment, flip tongue, adj            | Option: adjustable actuator/hitch |
| B    | 19379B | 1   | Weldment, hitch 4 pos                 | Option: adjustable hitch, elec    |
| C    | 24304  | 1   | Actuator, hyd surge brake - 2" ball   | Option: 2" ball                   |
| D    | 11032  | 1   | Weldment, lunette ring - 3" ID        | Option: non-adjustable            |
| E    | 12235B | 1   | Weldment, spare tire holder           | Option                            |
| F    | 19417  | 1   | Breakaway kit                         | Option                            |
| G    | 19518  | 1   | Coupler, 2" ball for adj hitch        | Option: adjustable                |
| H    | 19519  | 1   | Coupler, 2.31" ball                   | Option: adjustable                |
| J    | 19335B | 1   | Coupler, lunette ring - 3" adj        | Option: adjustable                |
| K    | 60239  | 2   | Screw, .625-11x5.0 std hex            | Option: adjustable                |
| L    | 60180  | 4   | Washer, flat .625                     | Option: adjustable                |
| M    | 60240  | 2   | Nut, .625-11 nylock                   | Option: adjustable                |
| N    | 40529  | 1   | Actuator, hyd surge brake - adj       | Option: adjustable actuator, hyd  |

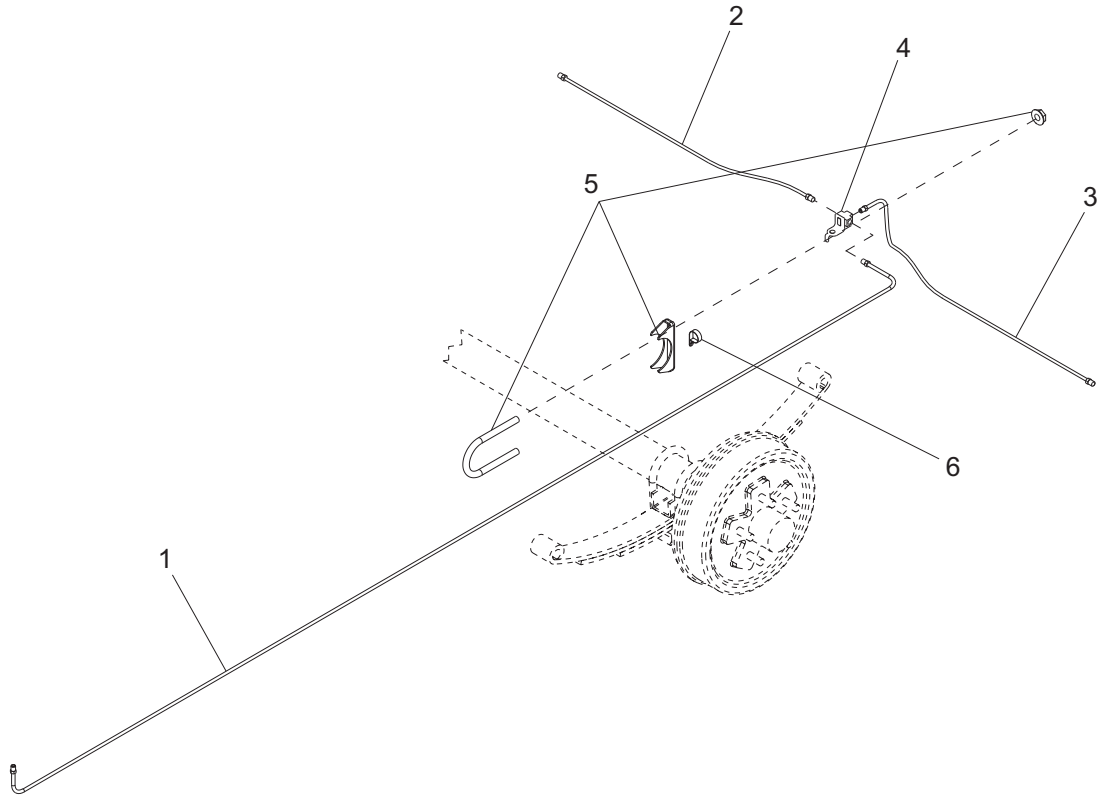
# TRAILER ASSEMBLY - TANDEM AXLE





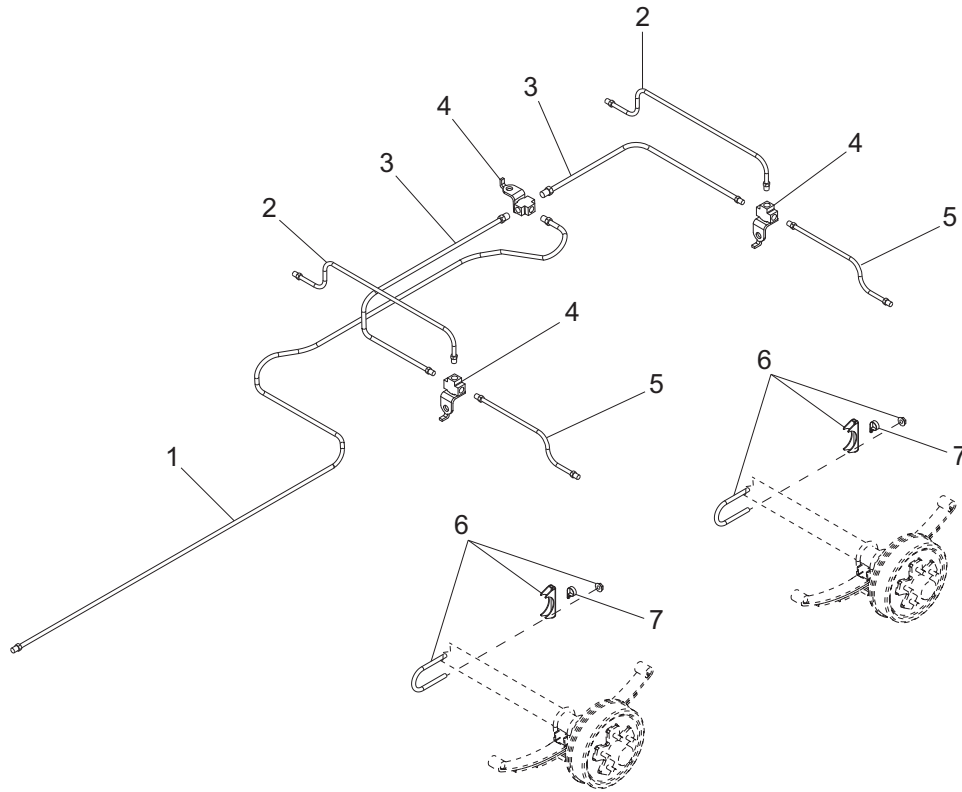
| ITEM | PART   | QTY | DESCRIPTION                           | NOTES                          |
|------|--------|-----|---------------------------------------|--------------------------------|
| 1    | 22976B | 2   | Weldment, fender tandem               |                                |
| 2    | 60140  | 10  | Nut, .375-16 hex hd                   |                                |
| 3    | 60386  | 20  | Washer, .375 flat                     |                                |
| 4    | 60179  | 10  | Screw, .375-16x.750 std hex           |                                |
| 5    | 24789B | 1   | Weldment, trailer - flip tonque       |                                |
| 6    | 60503  | 14  | Screw, shackle - .562-18x3.0 std hex  |                                |
| 7    | 60504  | 14  | Nut, .562-18 lock hex                 |                                |
| 8    | 19637  | 8   | Plate, shackle bracket                |                                |
| 9    | 40545  | 2   | Equalizer, tandem axle                |                                |
| 10   | 60383  | 6   | Screw, .750-10x1.500 hex hd           |                                |
| 11   | 60247  | 12  | Washer, .750 flat                     |                                |
| 12   | 60248  | 6   | Washer, .750 split lock               |                                |
| 13   | 15293  | 6   | Nut, .750-10 hex                      |                                |
| 14   | 60307  | 5   | Nut, .500-13 nylock                   |                                |
| 15   | 60416  | 4   | Washer, .500 flat                     |                                |
| 16   | 23205  | 1   | Harness, trailer                      |                                |
| 17   | 16143  | 5   | Clamp, tubing - .500                  |                                |
| 18   | 23367  | 2   | Chain, safety - 7,800 lb rated        |                                |
| 19   | 60659  | 7   | Screw, .50-13x5.0 std hex             |                                |
| 20   | 40529  | 1   | Actuator, hyd surge brake             | Adjustable                     |
| 21   | 22340  | 4   | Bushing, 1.00 ODx.75 ID               |                                |
| 22   | 23256  | 1   | Pin, jack - 2000 lb tube-mounted      |                                |
| 23   | 23254  | 1   | Jack, top wind - 2000 lb tube-mounted |                                |
| 24   | 24691B | 1   | Brace, tongue shipping                |                                |
| 25   | 24824B | 1   | Weldment, flip tongue                 | For adjustable actuator/hitch  |
| 26   | 11254  | 4   | Plug, grease cap - for zerk           |                                |
| 27   | 11253  | 4   | Cap, grease                           |                                |
| 28   | 40956  | 4   | Outer bearing                         |                                |
| 29   | 12311  | 4   | Brake drum - 10" 5 on 4.5"            |                                |
| 30   | 40765  | 4   | 10" Surge brake assy, RH              |                                |
|      | 40764  | 4   | 10" Surge brake assy, LH              |                                |
|      | 26443  | 4   | 10" Electric brake assy, RH           | Option                         |
|      | 26442  | 4   | 10" Electric brake assy, LH           | Option                         |
| 31   | 40954  | 4   | Inner bearing, axle                   |                                |
| 32   | 12307  | 4   | Bearing seal                          |                                |
| 33   | 60674  | 20  | Stud, wheel - .500-20                 |                                |
| 34   | 11277  | 8   | U-bolt, axle - 3500 lb                |                                |
| 35   | 11280  | 4   | Leaf spring 3500 lb                   |                                |
| 36   | 19421  | 2   | Axle, 3500 lb hydraulic               |                                |
|      | 19422  | 2   | Axle, 3500 lb electric                | Option                         |
| 37   | 15540  | 4   | Wheel, ST205/75R15                    |                                |
| 38   | 60096  | 20  | Nut, .500-20 wheel lug                |                                |
| 39   | 26441  | 16  | Net, U-bolt 1/2-20                    |                                |
| 40   | 11278  | 4   | Tie plate, 3500 lb                    |                                |
| 41   | 19335B | 1   | Coupler, lunette ring - 3" ID         | For adjustable actuator/hitch  |
| 42   | 60239  | 2   | Screw, .625-11x5.0 std hex            |                                |
| 43   | 60180  | 4   | Washer, flat .625                     |                                |
| 44   | 60240  | 2   | Nut, .625-11 nylock                   |                                |
| 45   | 30248  | 1   | Cap, actuator, sealed                 |                                |
| A    | 24812B | 1   | Weldment, flip tongue                 | Option: non-adj actuator/hitch |
| B    | 19379B | 1   | Weldment, hitch 4 pos                 | Option: adjustable hitch, elec |
| C    | 24304  | 1   | Actuator, hyd surge brake             | Option: 2" ball                |
| D    | 19417  | 1   | Breakaway kit                         | Option                         |
| E    | 12235B | 1   | Weldment, spare tire holder           | Option                         |
| F    | 19519  | 1   | Coupler, 2.31" ball                   | Option: adjustable             |
| G    | 19518  | 1   | Coupler, 2.00" ball                   | Option: adjustable             |

# BRAKE LINES - SINGLE AXLE



| ITEM | PART  | QTY | DESCRIPTION                             | NOTES           |
|------|-------|-----|---|-----------------|
| 1    | 24688 | 1   | Hose, brake - .188x136.00 male/male     |                 |
| 2    | 40495 | 1   | Line, brake - .188x20.00                |                 |
| 3    | 40494 | 1   | Line, brake - .188x30.00                |                 |
| 4    | 19252 | 1   | Fitting, .188 - brake line T w/bracket  | All female      |
| 5    | 61028 | 1   | Clamp, muffler - 2.50 lt duty           | U-bolt & saddle |
| 6    | 61010 | 1   | Clamp, tubing - .375 hvy duty .375 bolt |                 |

# BRAKE LINES - TANDEM AXLE



| ITEM | PART  | QTY | DESCRIPTION                             | NOTES           |
|------|-------|-----|---|-----------------|
| 1    | 24688 | 1   | Hose, brake - .188x136.00 male/male     |                 |
| 2    | 40494 | 2   | Line, brake - .188x30.00                |                 |
| 3    | 40817 | 2   | Hose, brake - .188x33.00 male/male      |                 |
| 4    | 19252 | 3   | Fitting, .188 - brake line T w/bracket  | All female      |
| 5    | 40495 | 2   | Line, brake - .188x20.00                |                 |
| 6    | 61028 | 2   | Clamp, muffler - 2.50 lt duty           | U-bolt & saddle |
| 7    | 61010 | 2   | Clamp, tubing - .375 hvy duty .375 bolt |                 |

REV: A  
PART NO: 27894-G  
03.06.12

**GENERAC<sup>®</sup>**

Generac Power Systems, Inc.  
S45 W29290 Hwy. 59  
Waukesha, WI 53189  
1-888-GENERAC (1-888-436-3722)

[www.generac.com](http://www.generac.com)